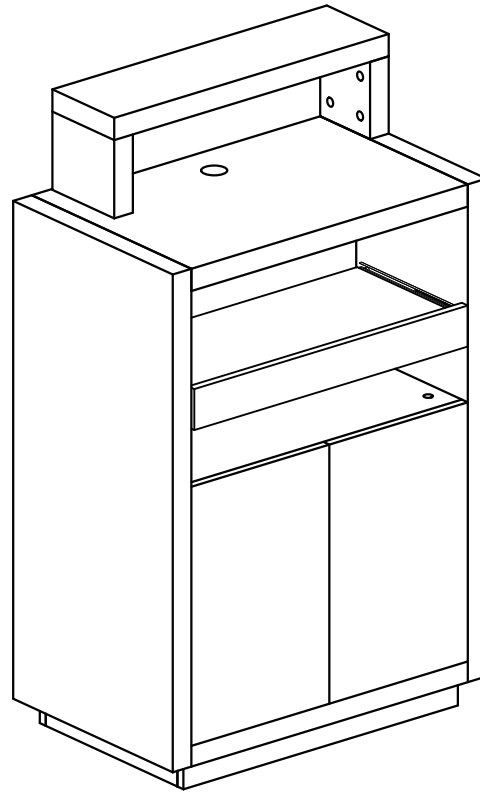


Orsacchiotto

4406

INSTRUCTION MANUAL



EN

CONTENTS

Product Introduction	3
Warranty	4
Assembly Instructions	5
List of parts	5
Tools Necessary	7
Assembly Techniques Display	8
Instructions	9
Aftercare instructions	17
Contact Us	18

Please read the operation manual before using the product.

Please put the operation manual in the place easy for you to read and you can read it at any time.

Product Name: Orsacchiotto

Product Code: 4406

The trendy DIR Orsacchiotto reception desk brings a real focal point to any salon with display space on front. Styled in a contemporary ash finish with a split-level with glass covered working surface and display area, this unit offers both practicality and impact. Easy to assemble.

WARRANTY

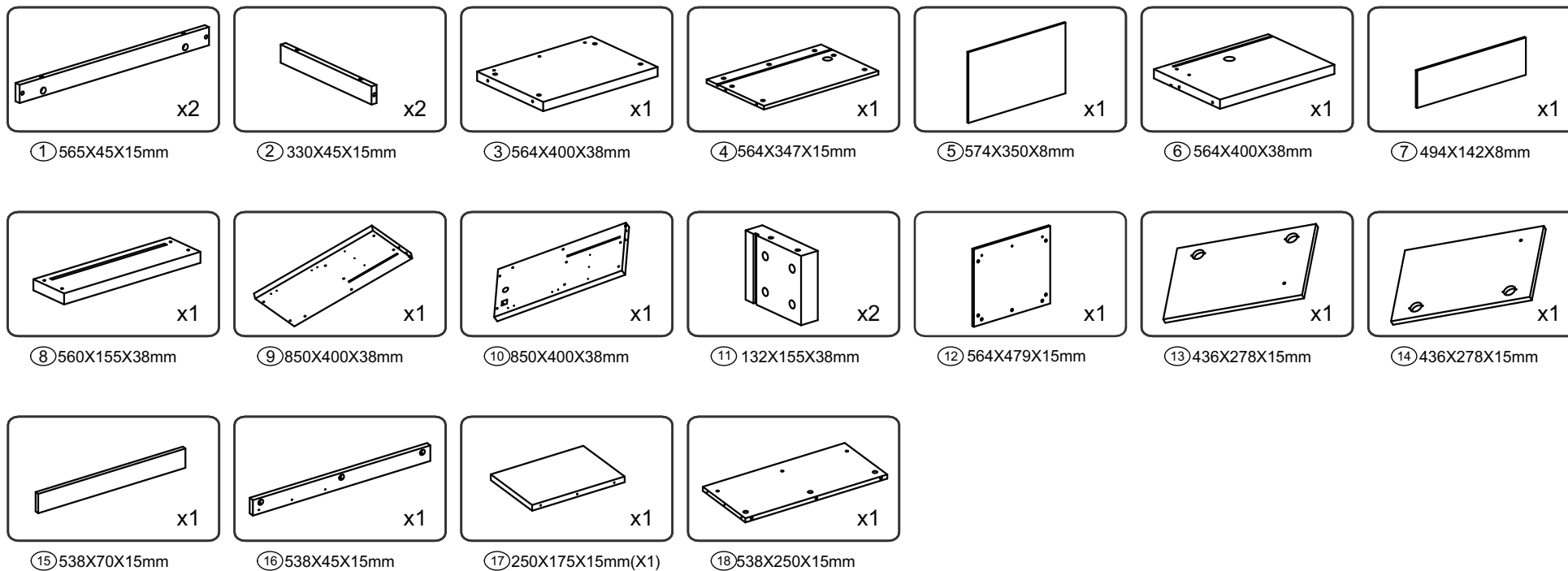
The warranty period is one year. DIR warrants to you, the original buyer, that goods shall be free of defects in material and/or workmanship attributable to manufacture for one year from date of buyer's receipt of product. Damage resulting from improper handling after merchandise is received, or from exposure to weather or extreme atmospheric conditions is not covered by the warranty.

For any other information please contact our support team:

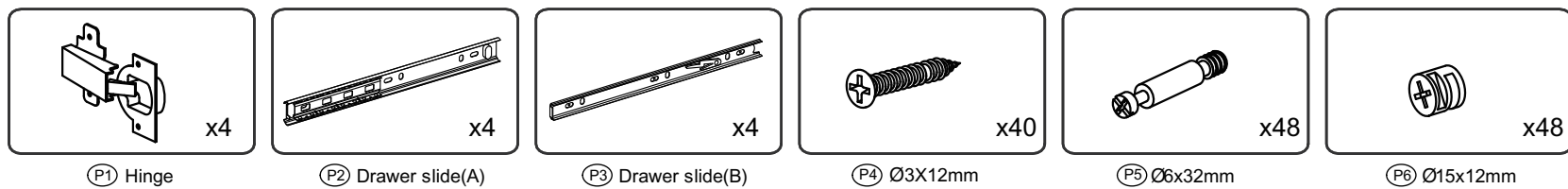
DIR BIRMINGHAM	DIR LONDON	DIR NEW YORK	DIR COLOGNE	DIR IRELAND	DIR CHINA
66 Rea Street South Birmingham B5 6LB UK ----- Tel: +44(0)121 6434777 ----- Email: sales@dirgroup.co.uk	Unit 1 River Road Business Park 33 River Road, Barking Greater London IG11 0DA UK ----- Tel: +44(0)20 8591 9310 ----- Email: sales.london@dirgroup.co.uk	24 Woodward Ave. Suite C Queens, NY 11385 USA ----- Tel: +1 (718)628-6668 +1 (800)728-2008 ----- Email: sales@dirsalonfurniture.com	Konrad-Adenauer-Straße 25 50996 Köln Germany ----- Tel: + 49 (0) 221 4678 0417 ----- Email: sales@dirgroup.de	Unit 5 Block E, Riverview Business Park, Nangor Road, Dublin 12 Republic of Ireland ----- Tel: +353 (01) 429 7969 ----- Email: sales.ireland@dirgroup.ie	广东伊众健康科技有限公司 Guangdong Yizhong technology co Ltd 地址: 广东顺德龙江龙峰大道38号 ----- 全国统一热线: +400 865 5603 ----- 邮箱: sales@dirchina.cn

ASSEMBLY INSTRUCTIONS

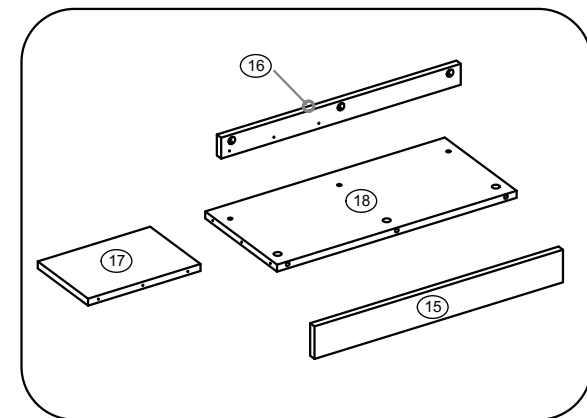
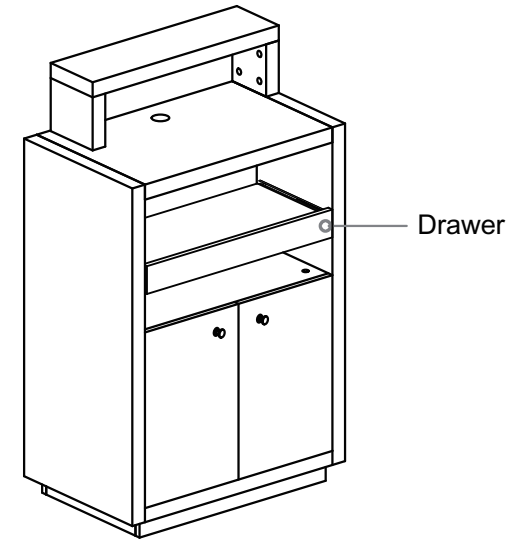
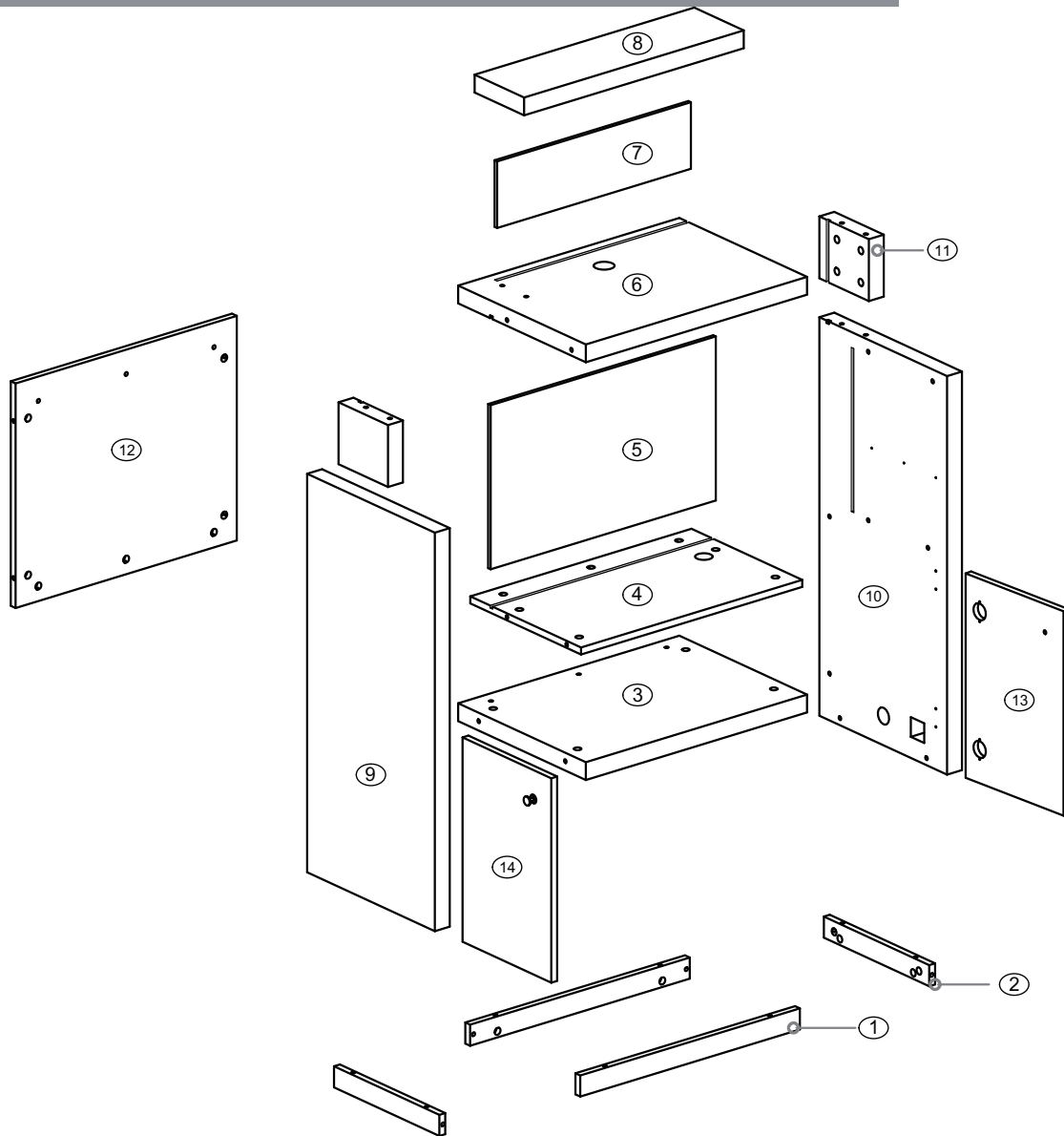
List of Parts



Part

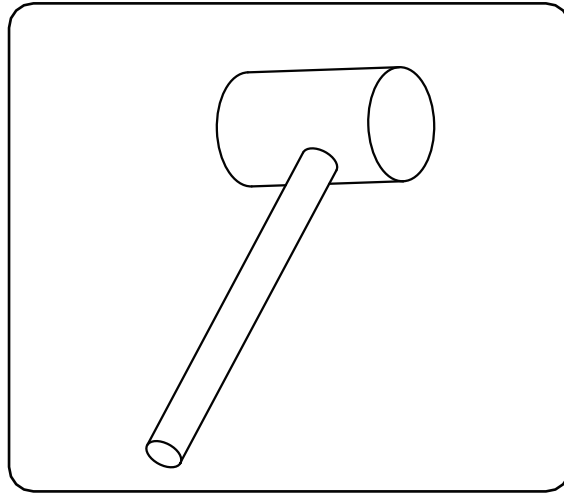


ASSEMBLY INSTRUCTIONS

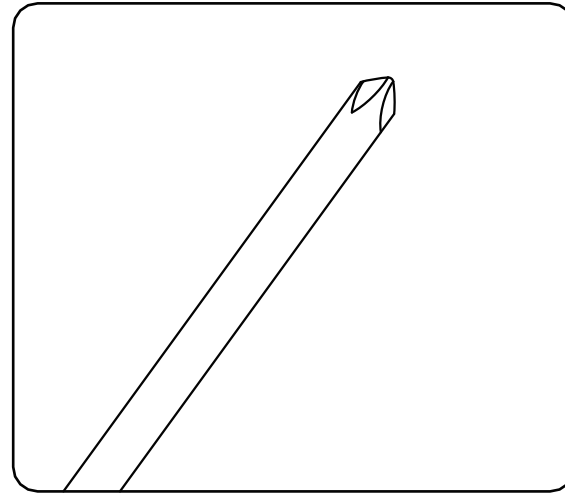


Drawer View

ASSEMBLY INSTRUCTIONS
Tools Necessary

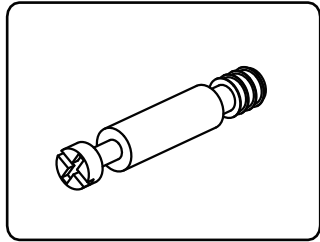


Rubber Hammer

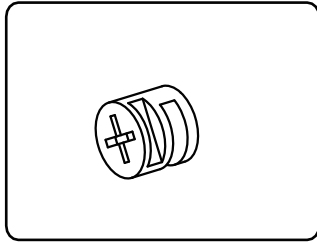


Cross screwdriver

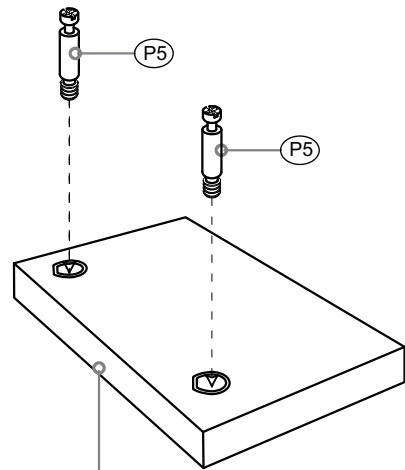
ASSEMBLY INSTRUCTIONS



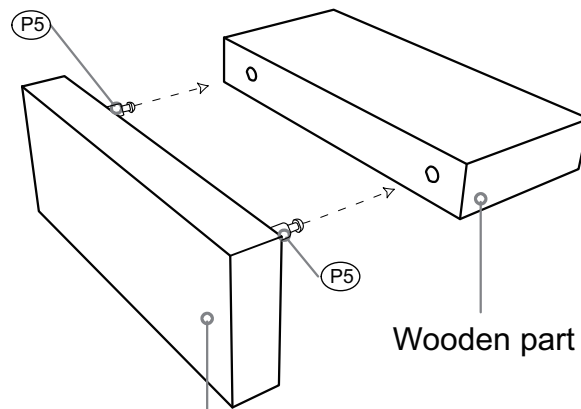
Ⓟ Ø6x32mm



Ⓟ Ø15x12mm

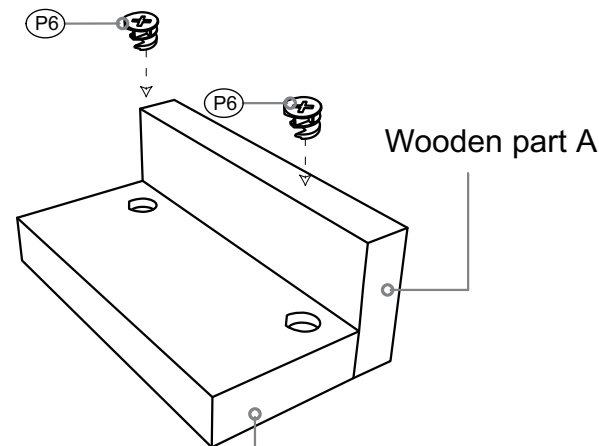


Wooden part A



Wooden part A

Wooden part B



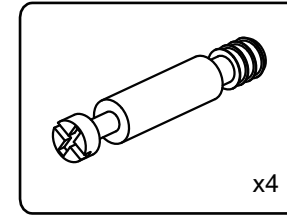
Wooden part B

Wooden part A

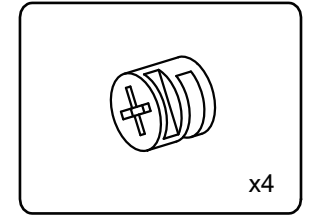


Please put parts together with full 2 techniques instructions for every assembly step in the following pages.

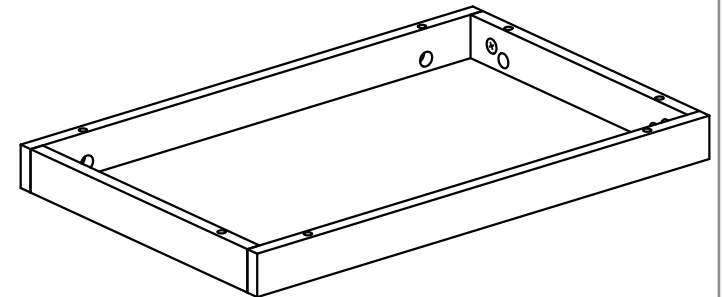
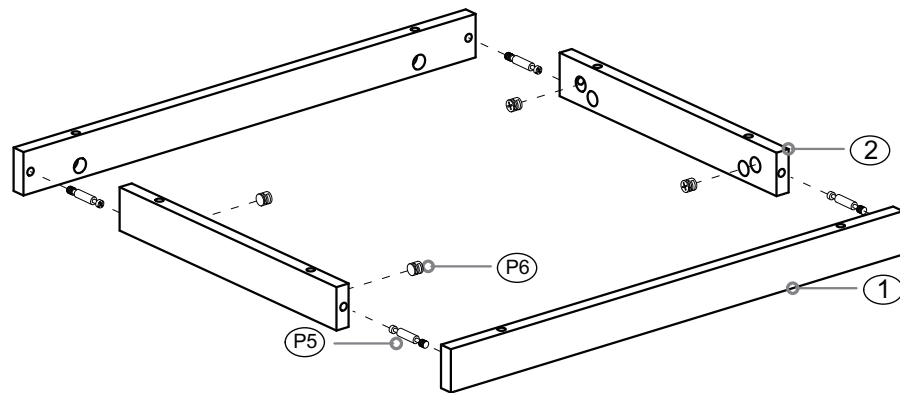
ASSEMBLY INSTRUCTIONS



Ⓟ P5 Ø6x32mm



Ⓟ P6 Ø15x12mm

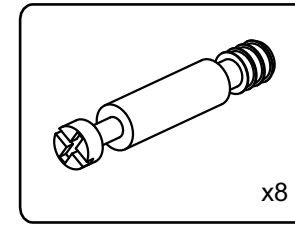


Step1

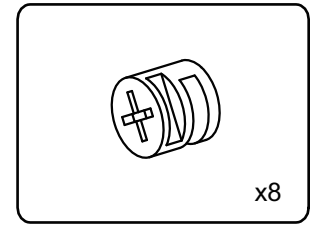
ASSEMBLY INSTRUCTIONS

DIR

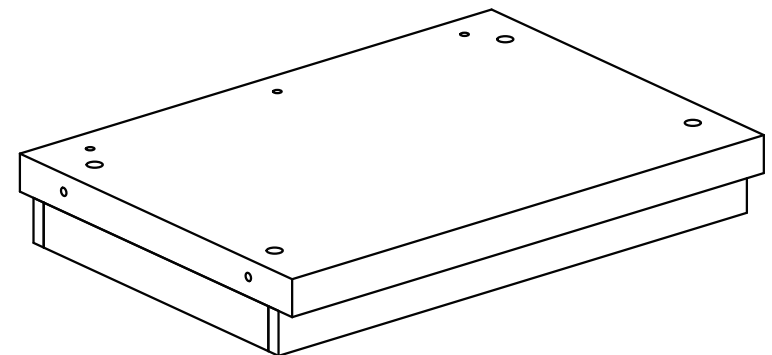
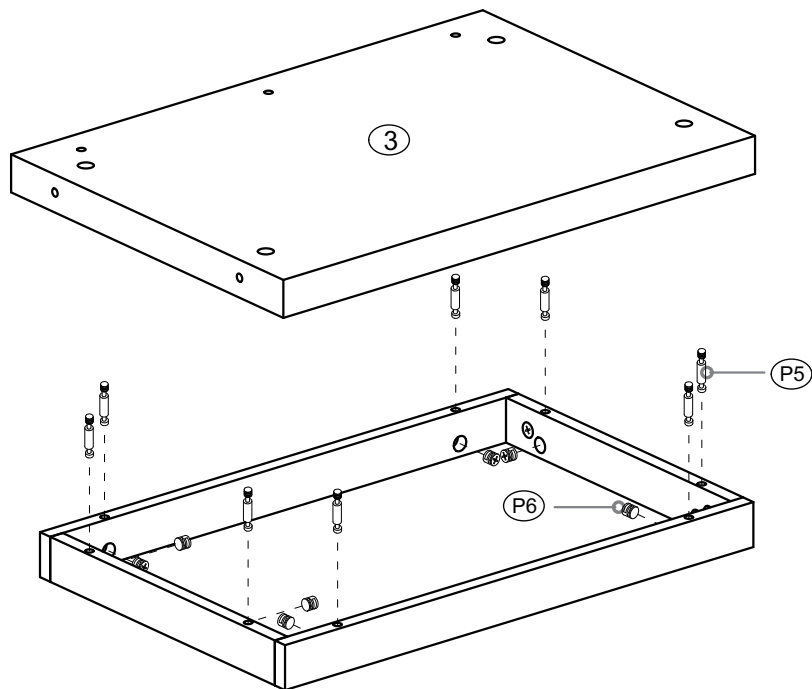
www.dirgroup.co.uk



(P5) Ø6x32mm

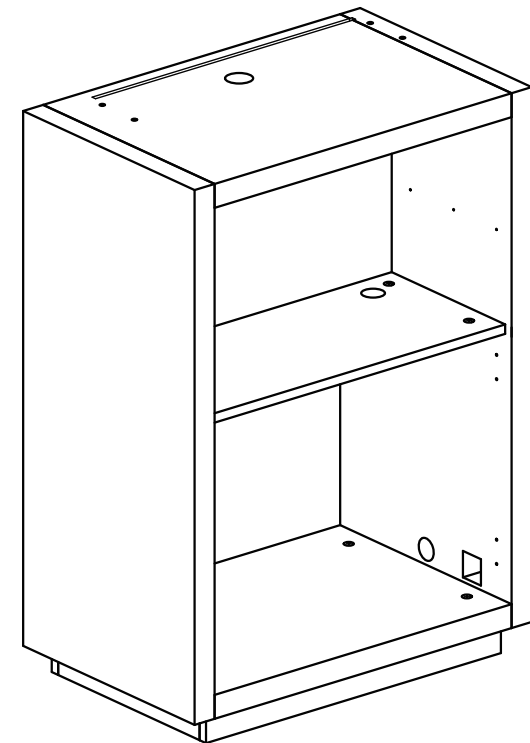
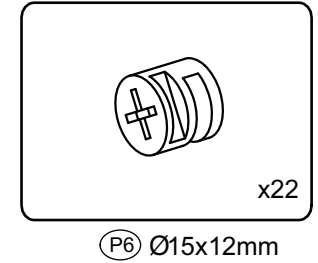
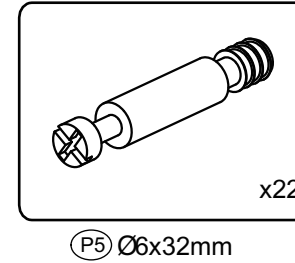
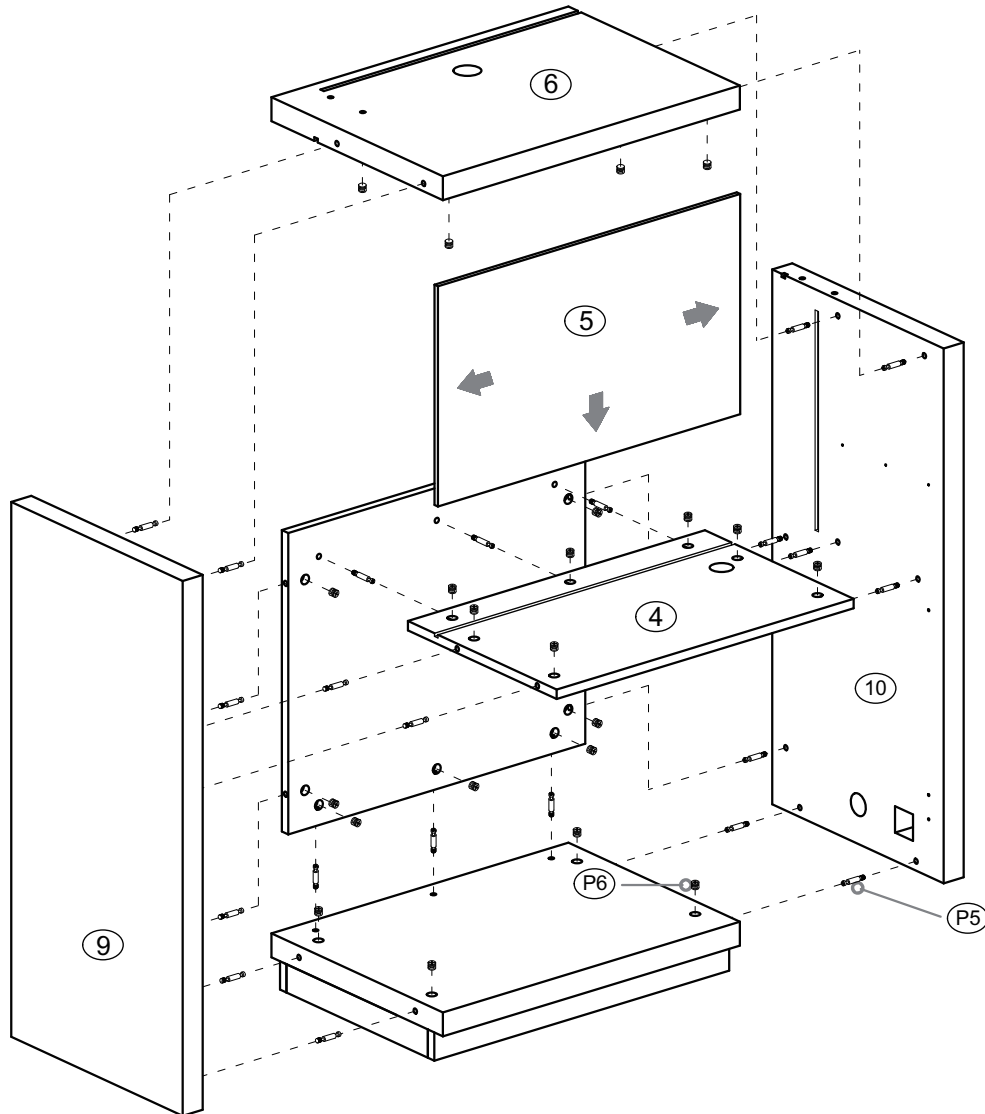


(P6) Ø15x12mm



Step2
10

ASSEMBLY INSTRUCTIONS

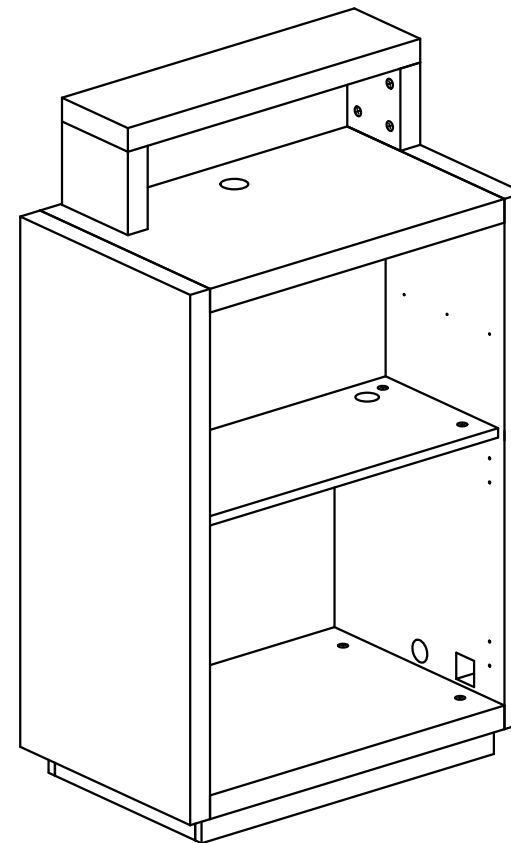
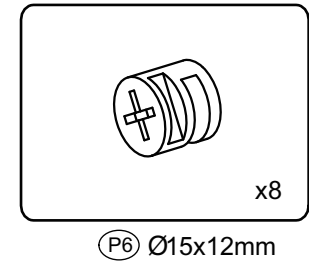
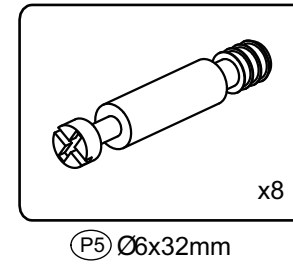
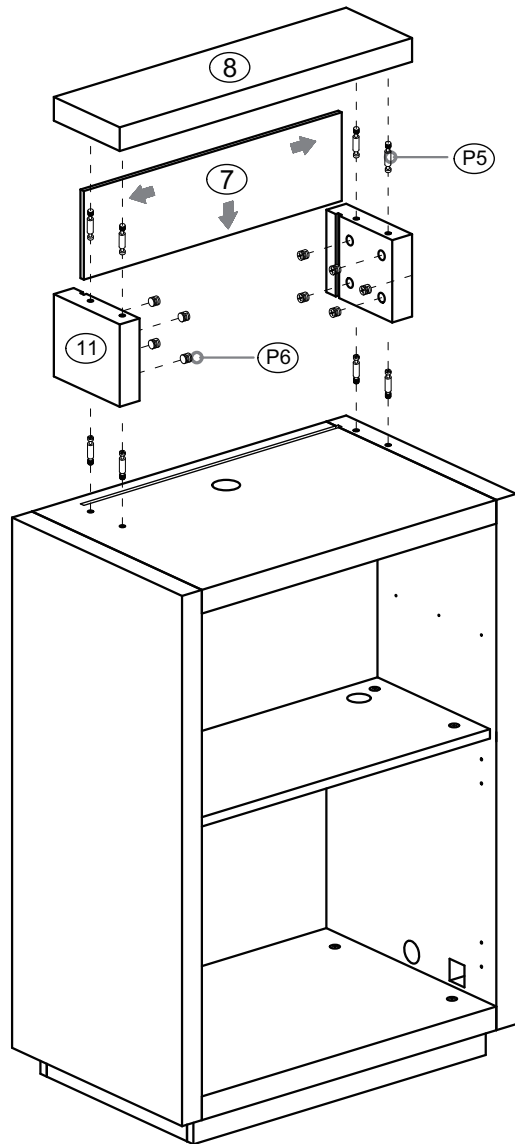


Step3

ASSEMBLY INSTRUCTIONS

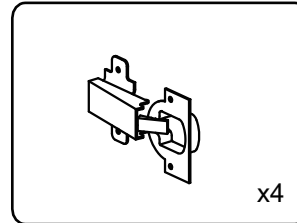
DIR

www.dirgroup.co.uk

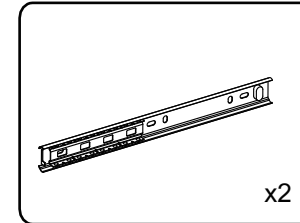


Step4

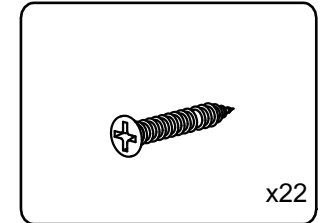
ASSEMBLY INSTRUCTIONS



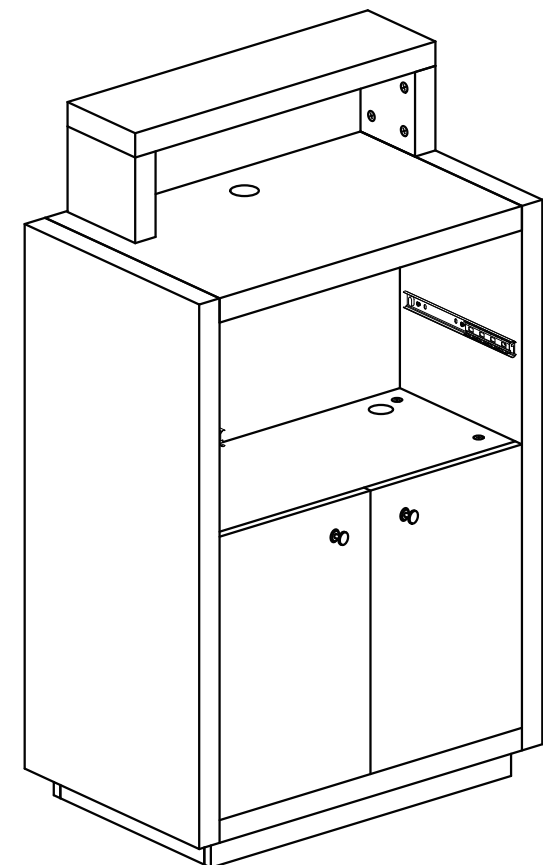
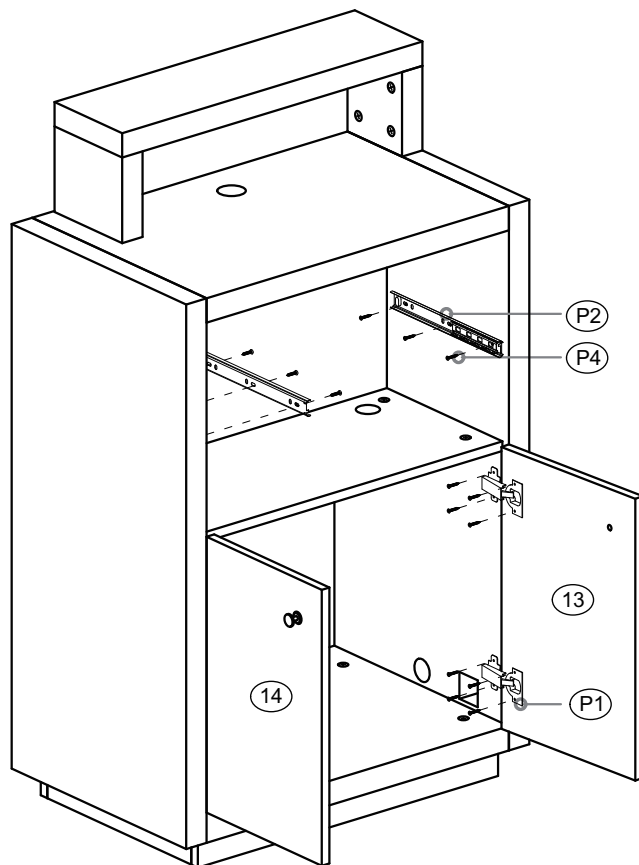
(P1) Hinge



(P2) Drawer slide(A)



(P4) Ø3X12mm

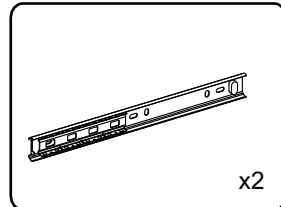


Step5

ASSEMBLY INSTRUCTIONS

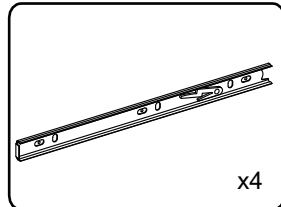
DIR

www.dirgroup.co.uk



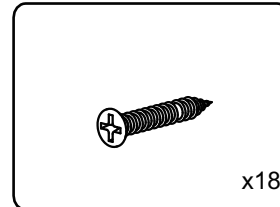
x2

P2 Drawer slide(A)



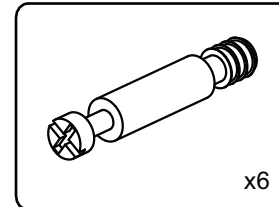
x4

P3 Drawer slide(B)



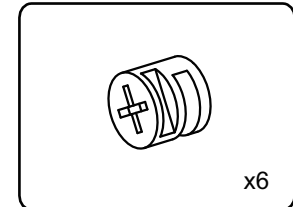
x18

P4 Ø3X12mm



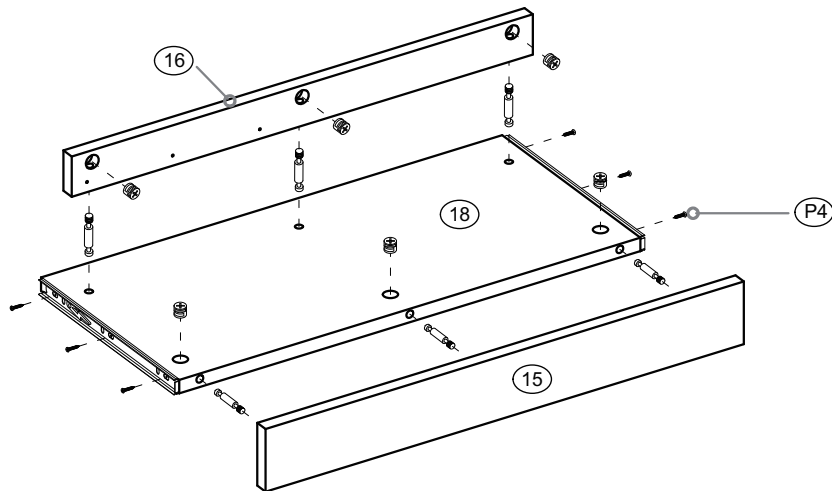
x6

P5 Ø6x32mm

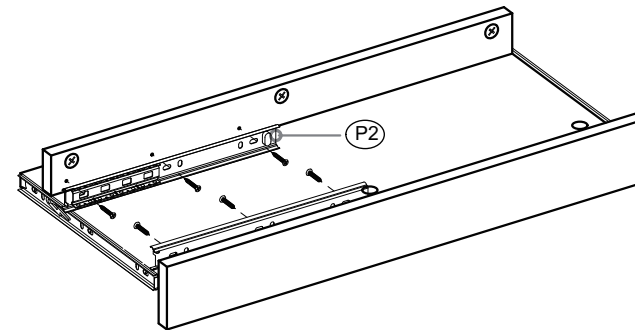


x6

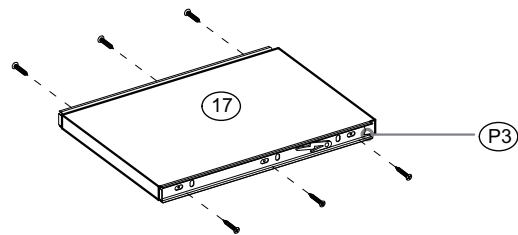
P6 Ø15x12mm



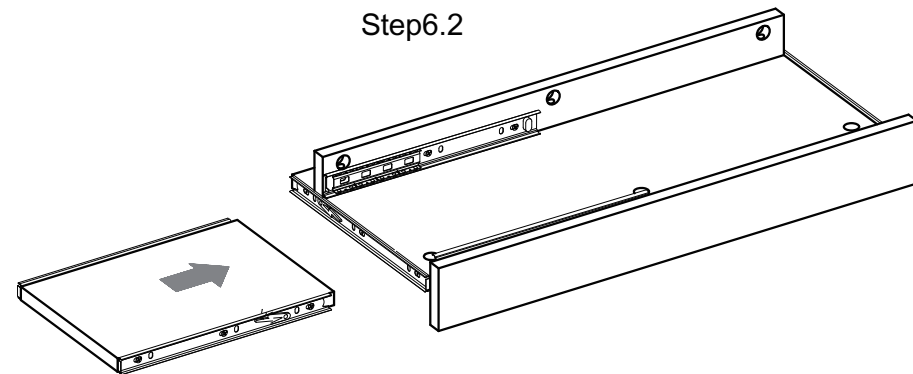
Step6.1



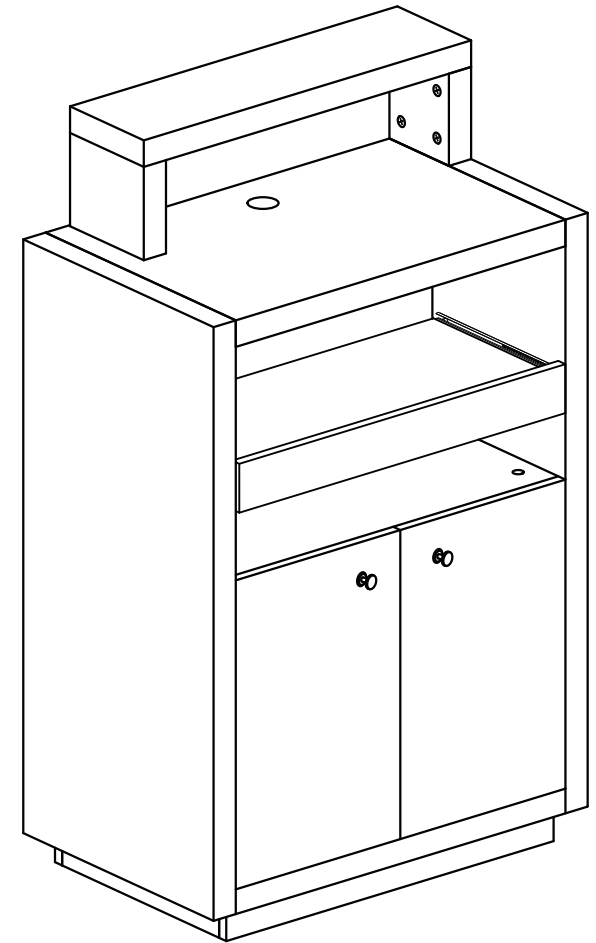
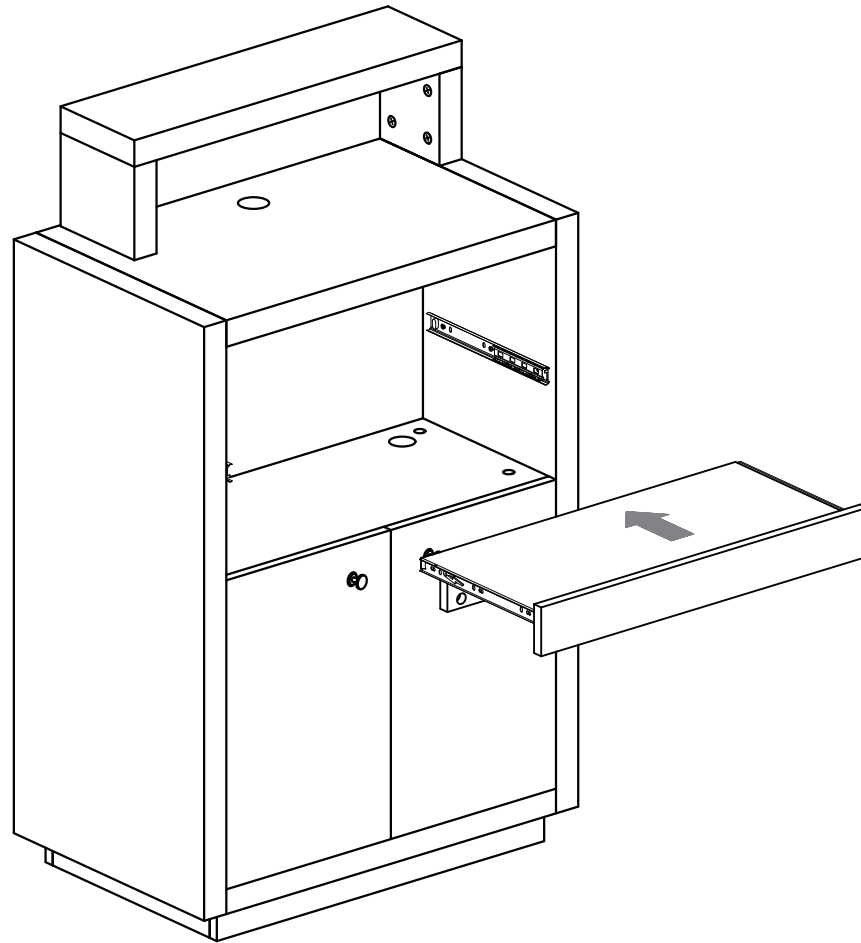
Step6.2



Step6.3



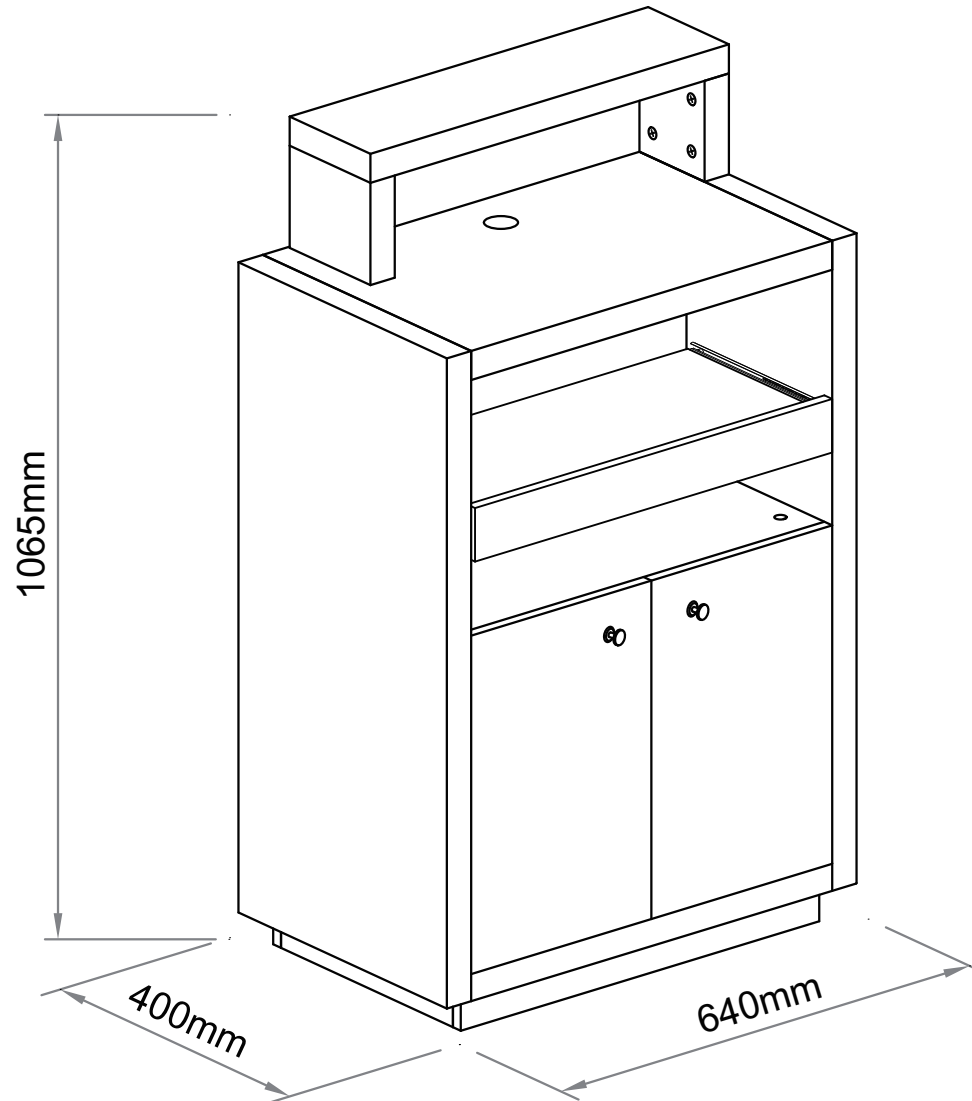
Step6.4



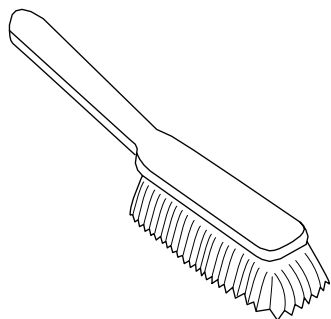
Insert the drawer into the Reception Desks.

Step7

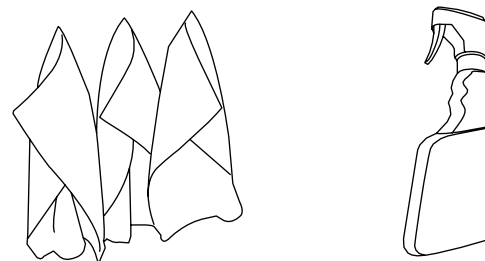
ASSEMBLY INSTRUCTIONS



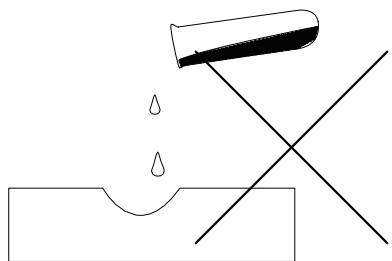
AFTERCARE INSTRUCTIONS



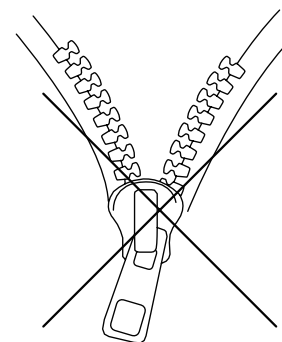
Brush away excess hair



Wipe clean with a cloth dampened in a mild leather cleaner or wipe dry with a clean cloth



Avoid the use of abrasives, bleaches or solvents



Never remove and wash leather covers

After an initial period of use, check all fastenings for any loosened screws etc. If found, please tightened appropriately

CONTACT US

DIR BIRMINGHAM (HEADQUARTERS)

66 Rea Street South
Birmingham
B5 6LB
UK
Sales: +44(0)800 085 3667
Customer Service: +44(0)121 6434777
Fax: +44(0)121 6333291
Email: sales@dirgroup.co.uk
Website: www.dirgroup.co.uk

DIR LONDON

Unit 1 River Road Business Park
33 River Road, Barking
Greater London IG11 0DA
UK
Sales: +44(0)20 8591 9310
Fax: +44(0)20 8594 4147
Email: sales.london@dirgroup.co.uk
Website: www.dirgroup.co.uk

DIR NEW YORK

24 Woodward Ave.
Suite C
Queens, NY 11385
USA
Sales: +1 (718)628-6668
+1 (800)728-2008
Fax: +1 855-628-5168
Email: sales@dirsalonfurniture.com
Website: www.dirsalonfurniture.com

DIR COLOGNE

Konrad-Adenauer-Straße 25
50996 Köln
Germany
Sales: + 49 (0) 221 / 4678 0417
Email: sales@dirgroup.de
Website: www.dirgroup.de

DIR IRELAND

Unit 5 Block E
Riverview Business Park
Nangor Road
Dublin 12
Republic of Ireland
Sales: +353 (01) 429 7969
Email: sales.ireland@dirgroup.ie
Website: www.dirgroup.ie

DIR CHINA

广东伊众健康科技有限公司
Guangdong Yizhong technology co Ltd
广东顺德龙江龙峰大道38号
全国统一热线：
+400 865 5603
邮箱: sales@dirchina.cn
官网：www.dirchina.cn

If you have any enquires regarding the product warranty, please contact our customer services team.

www.dirgroup.co.uk