

# DIR<sup>®</sup>

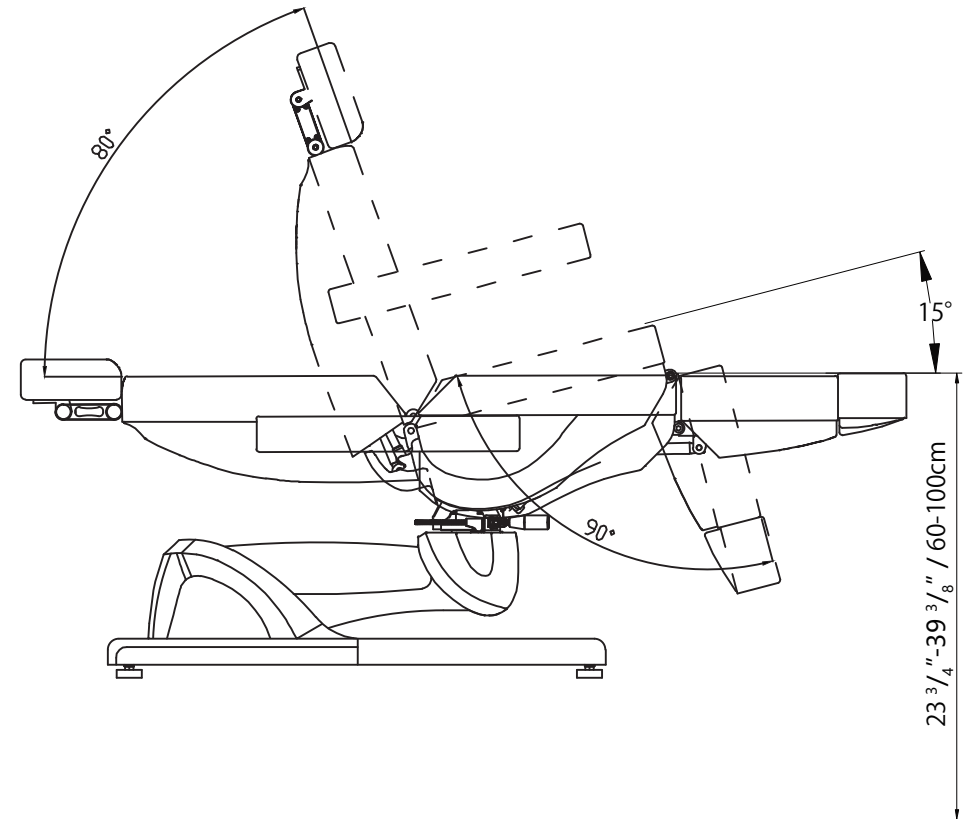
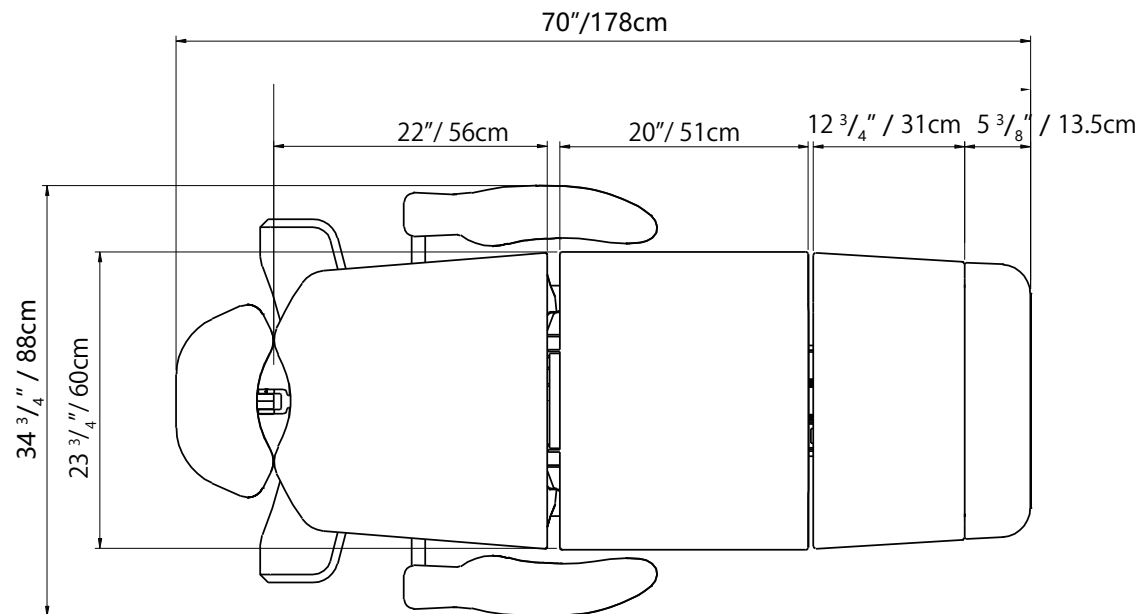
# Pavo

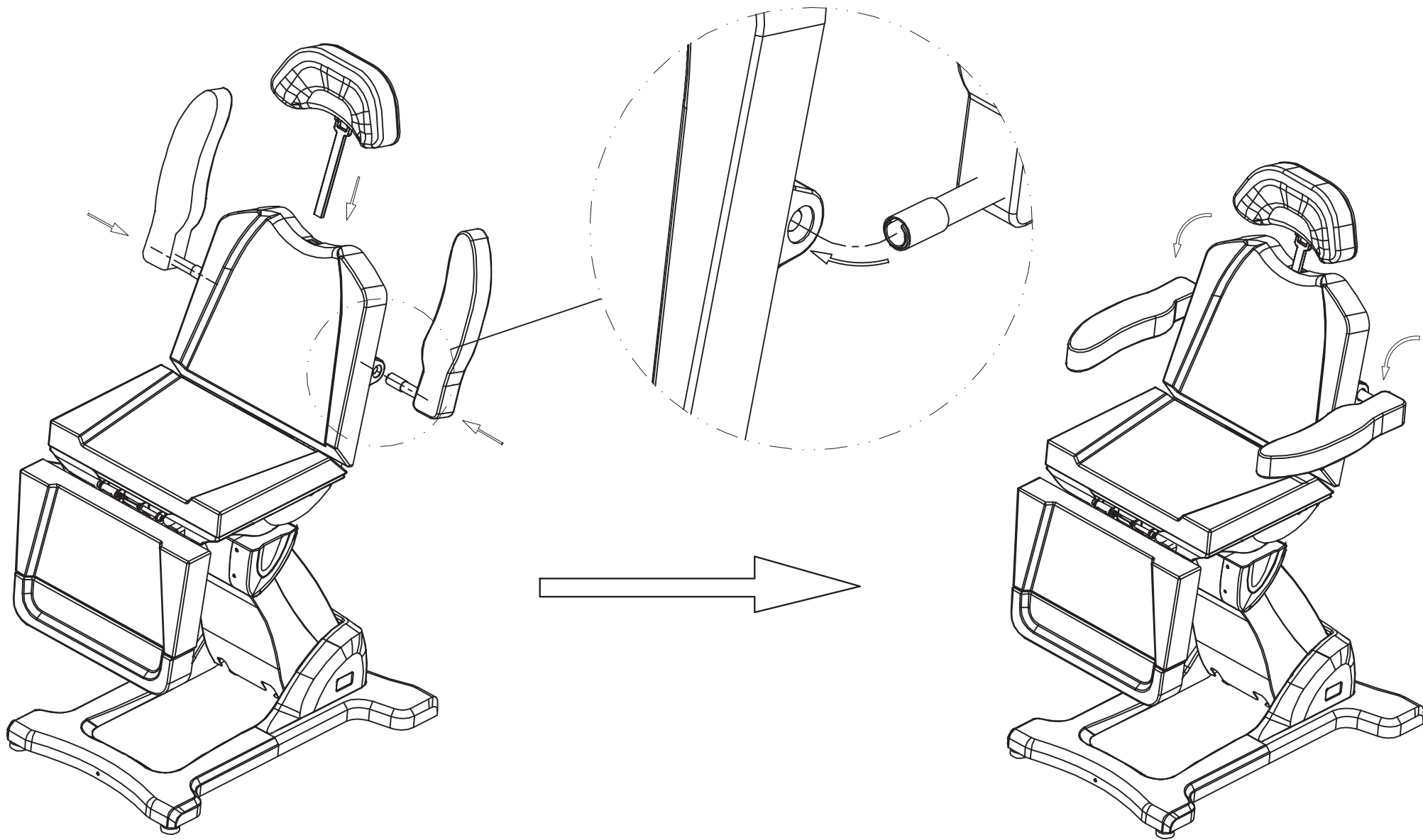
8709

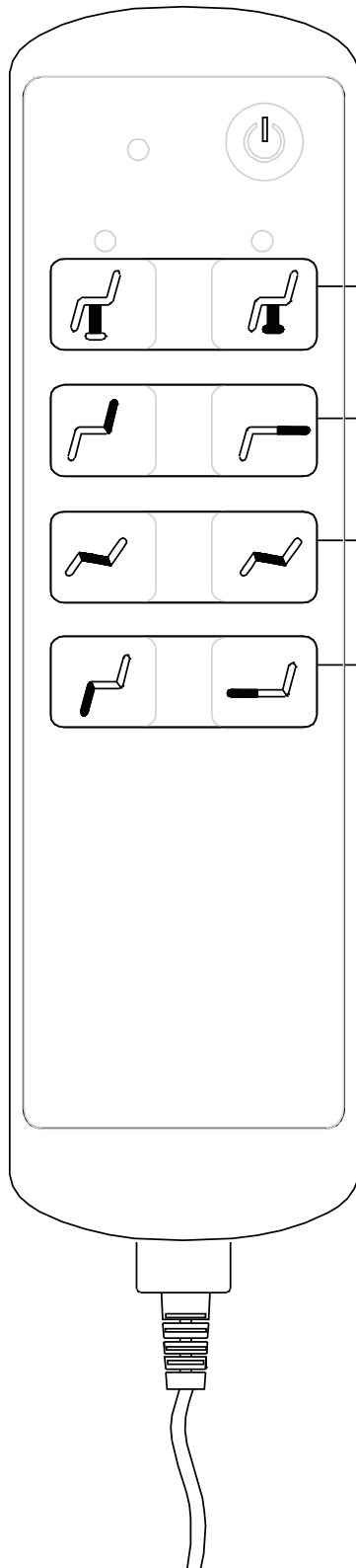
INSTRUCTION MANUAL



	USA	UK
N.W.	190 lbs	86kg
Max load capacity	400 lbs	180kg
Input voltage	AC 110V/60HZ	AC 230V/50HZ
Output Voltage	DC 24V	DC 24V





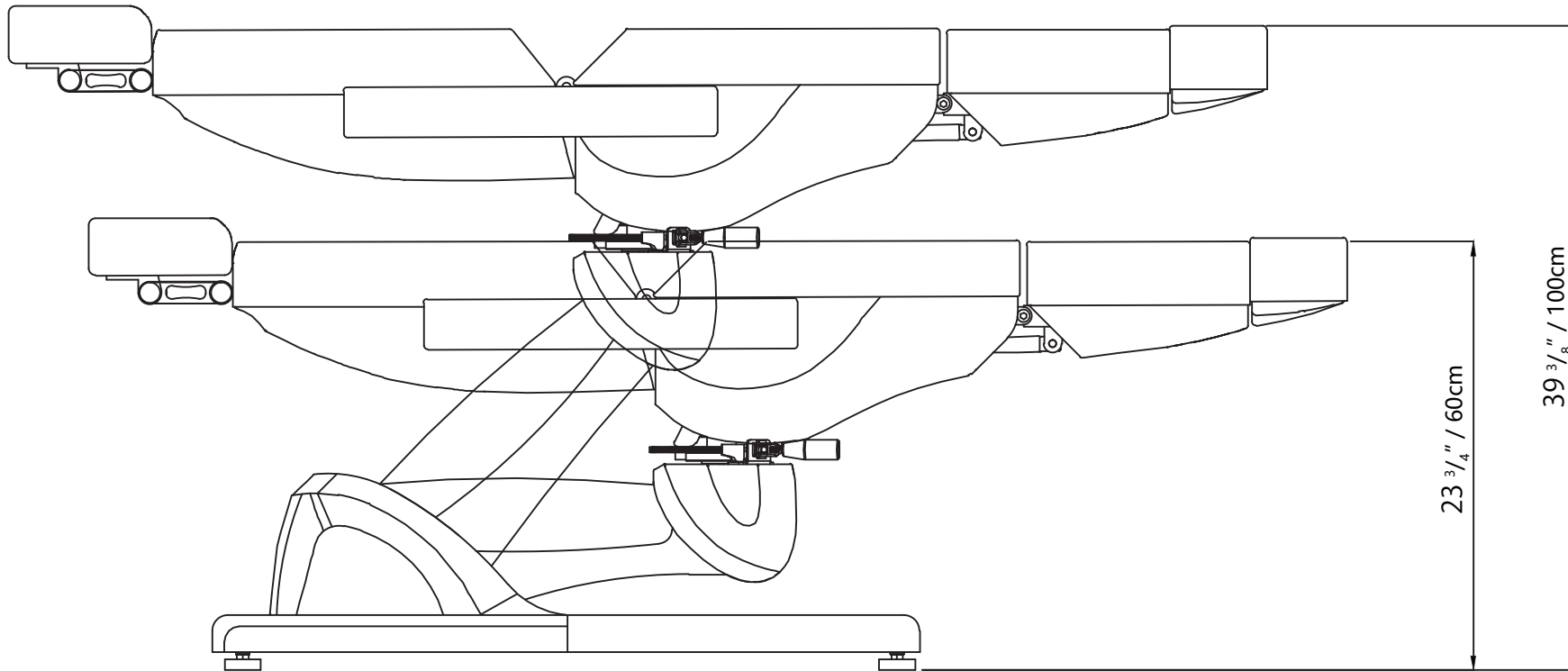


- ① The whole bed can be inclined up and down by pressing these buttons
- ② The inclined angle of the backrest can be adjusted up and down by pressing these buttons
- ③ The inclined angle of the bottom seat can be adjusted up and down by pressing these buttons
- ④ The leg can be controlled up and down by pressing these buttons

The instruction

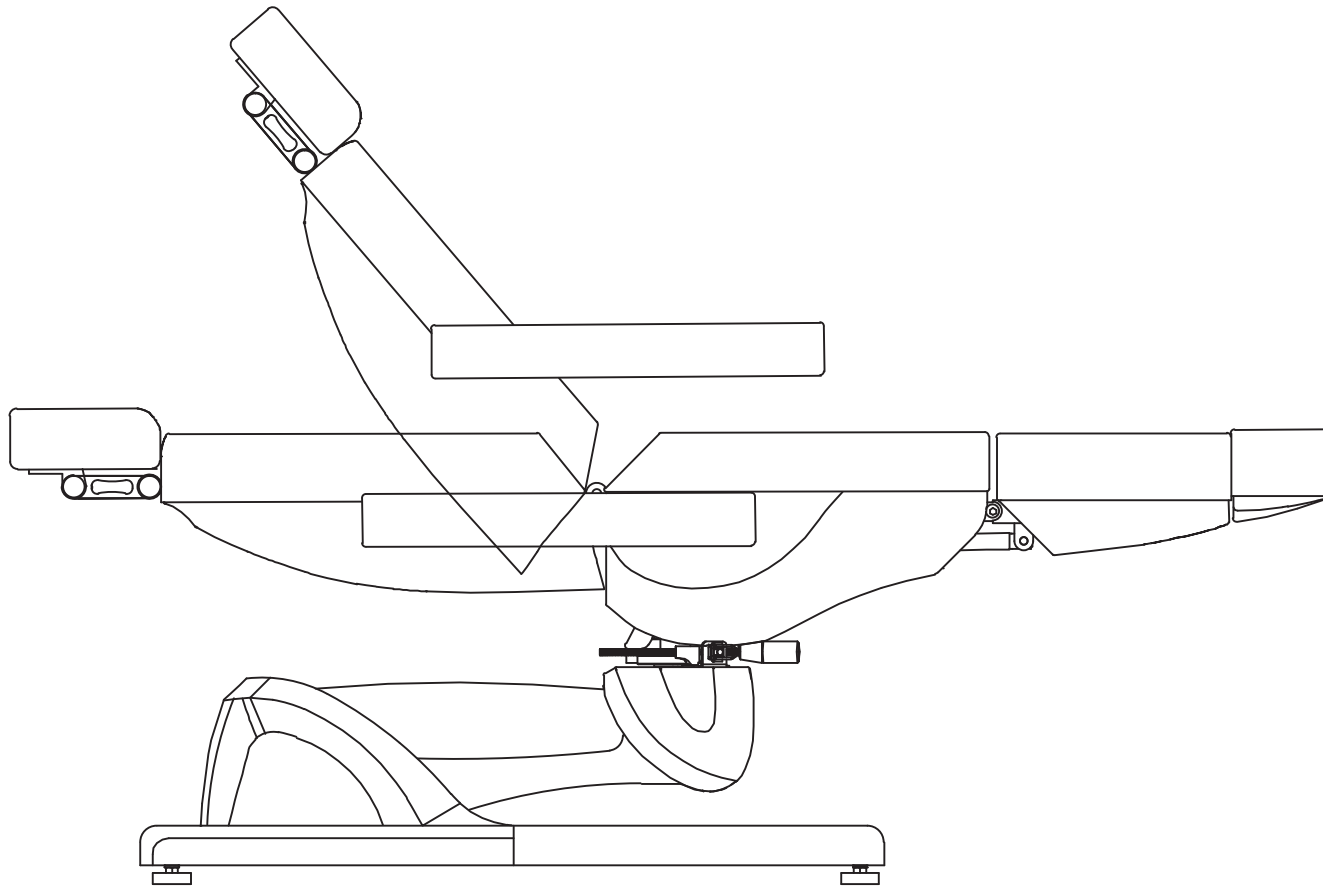
(1) The height adjustment

The whole bed can be inclined up and down by pressing these buttons:



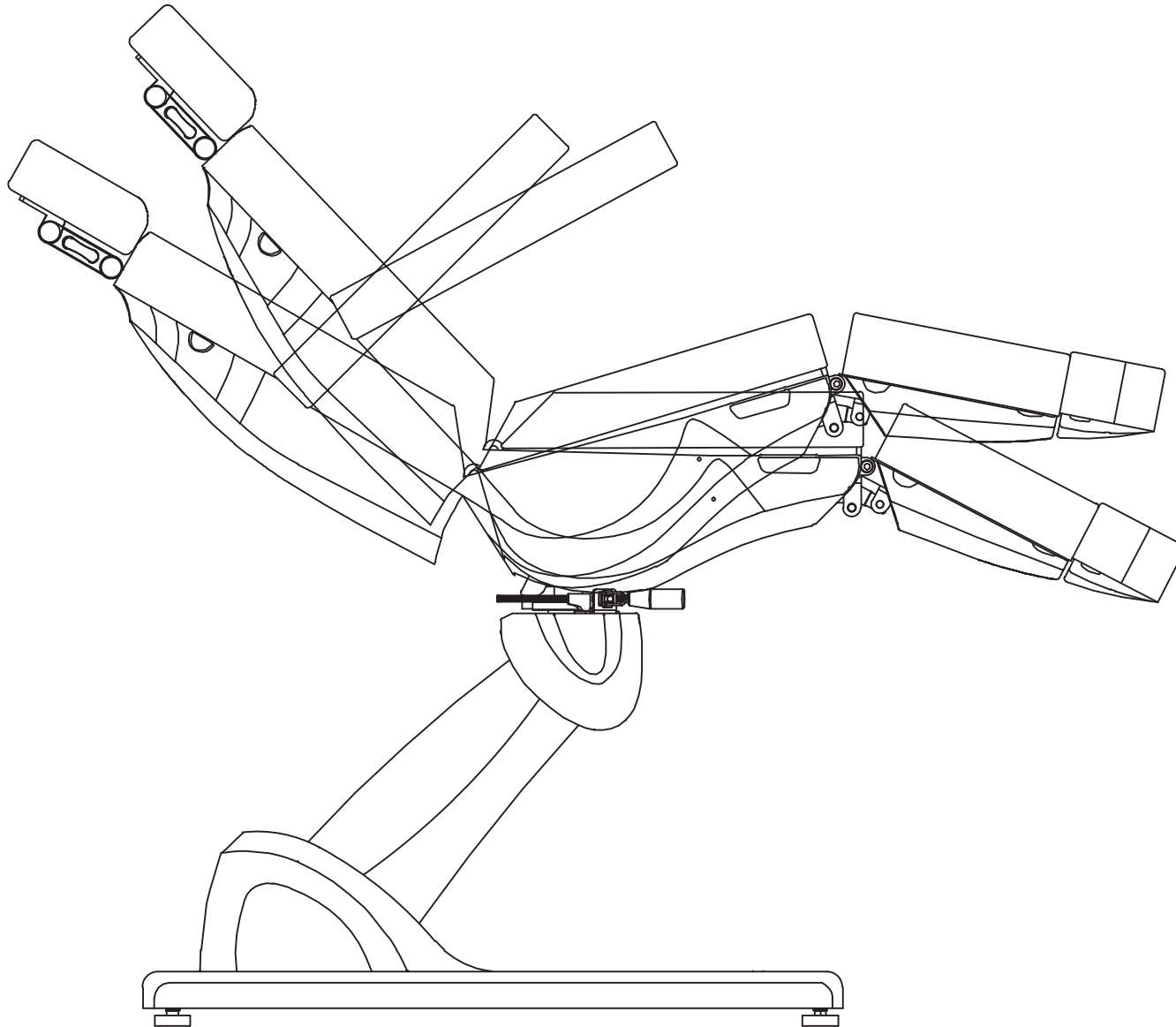
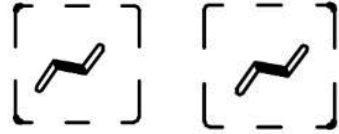
(2) The backrest adjustment

The inclined angle of the backrest can be adjusted up and down by pressing these buttons:



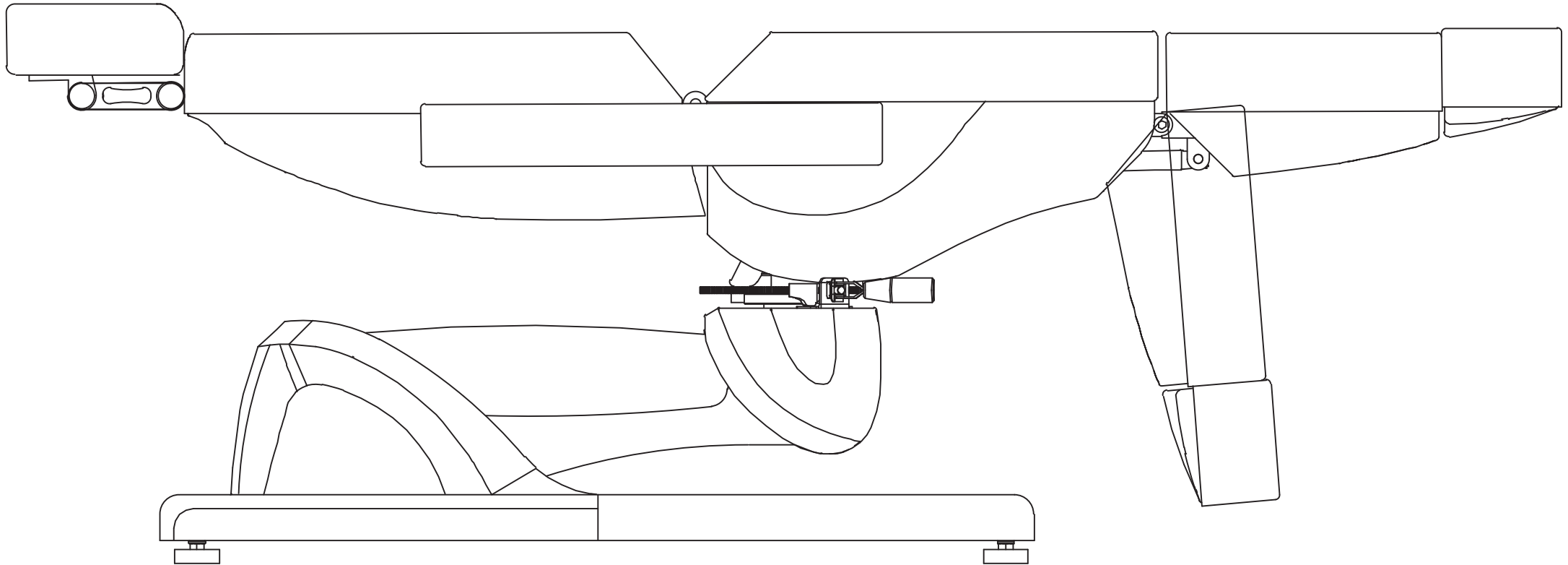
(3) The bottom seat adjustment

The inclined angle of the bottom seat can be adjusted up and down by pressing these buttons:



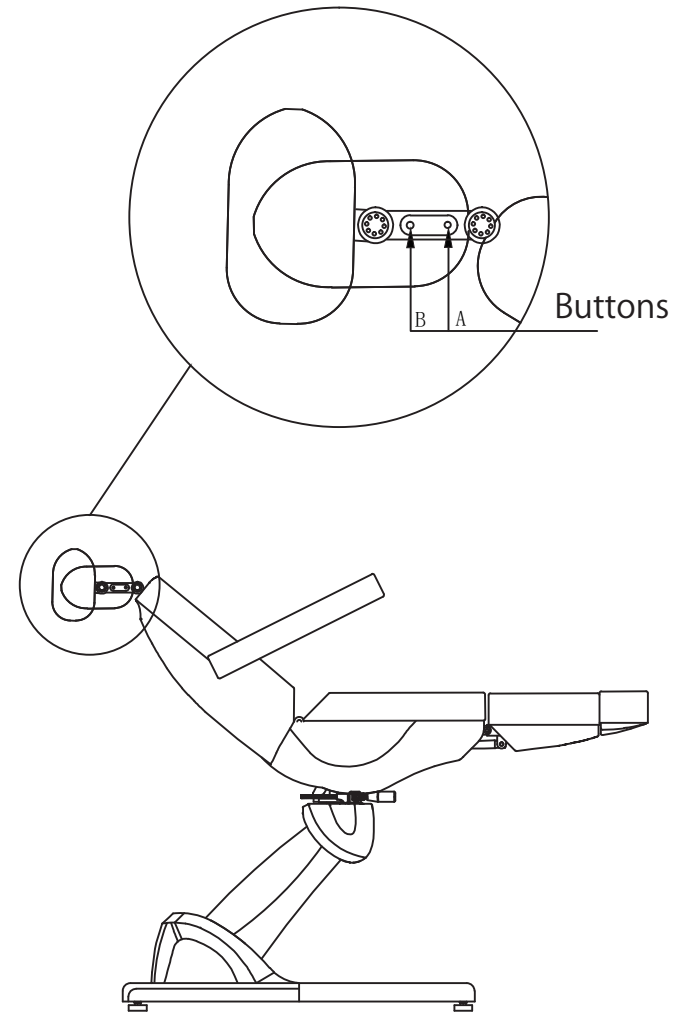
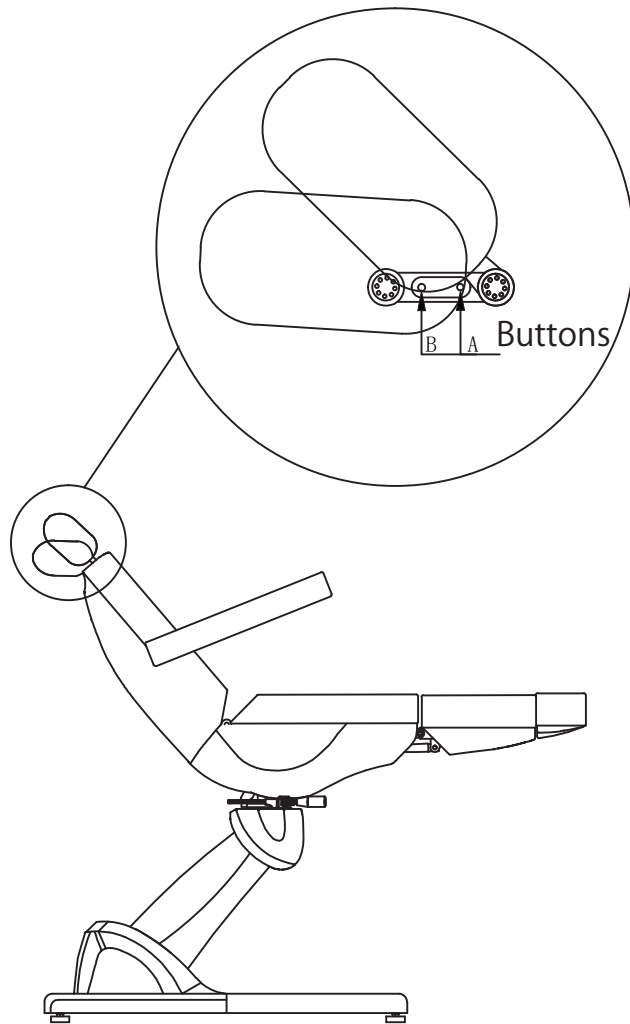
(4) The footrest adjustment

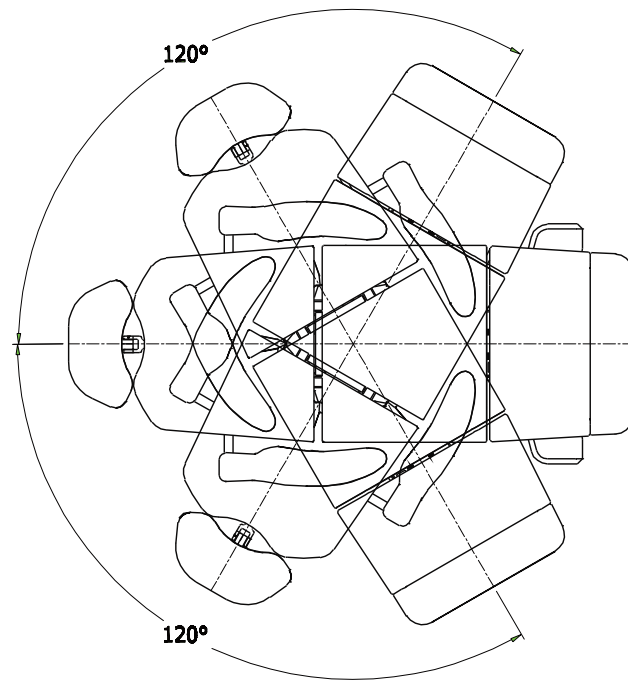
The footrest can be controlled up and down by pressing these buttons:



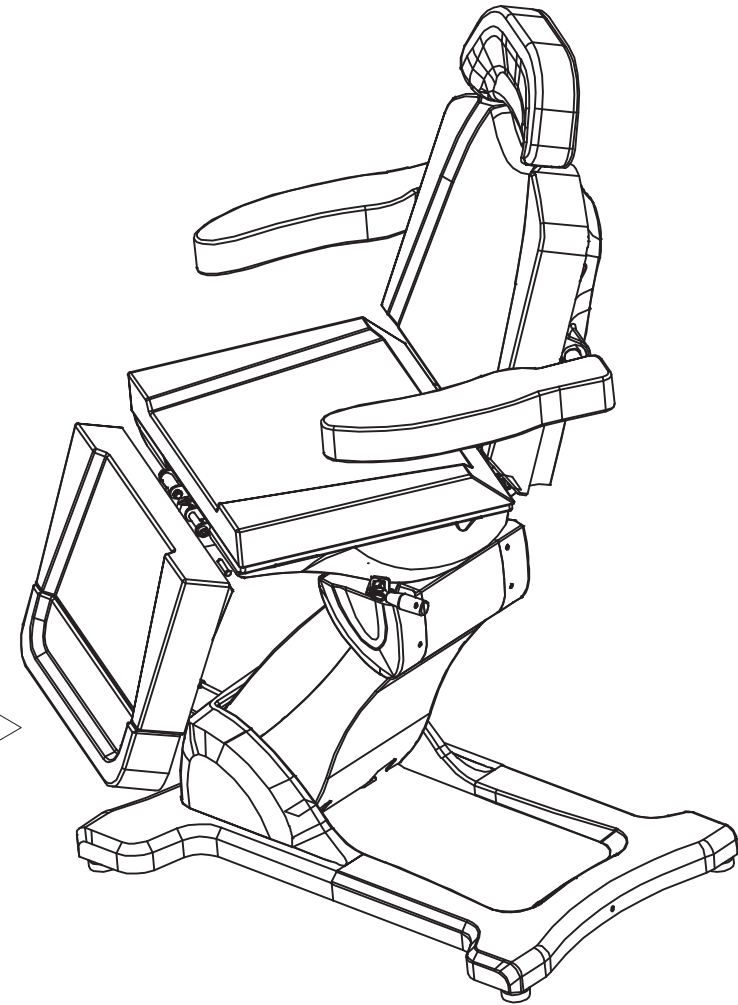
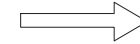
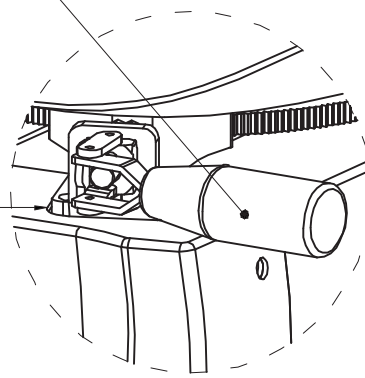
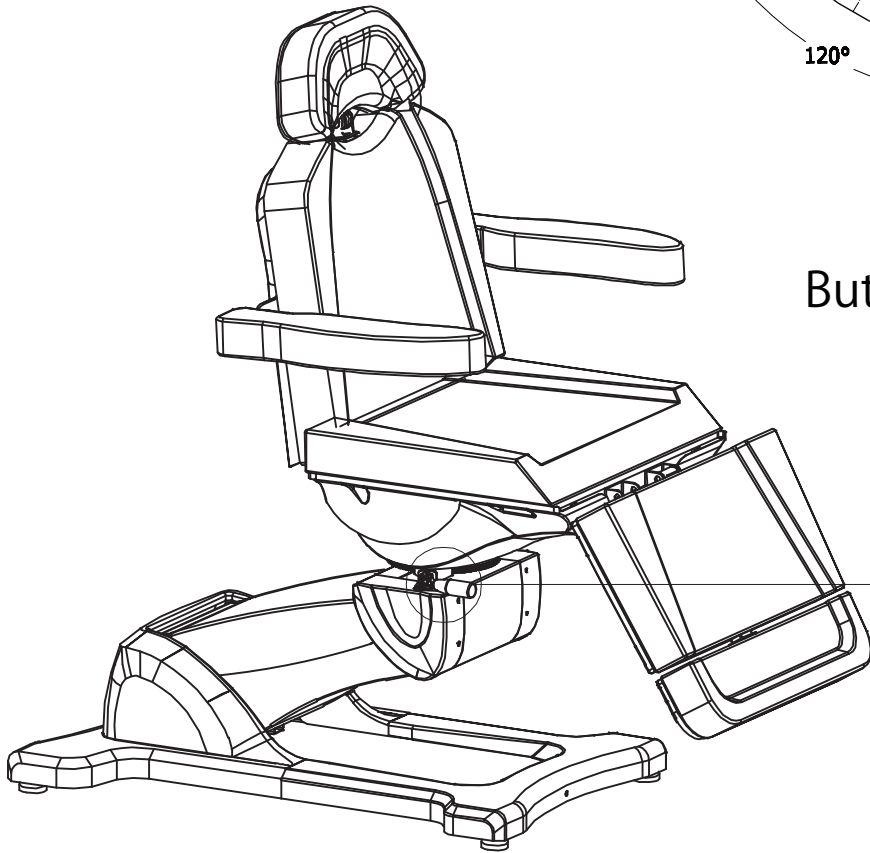
(5) The pillow adjustment

The inclined angle of the whole pillow can be adjusted if you press the button A. And the retroflexion of the pillow can be adjusted individually if you press the button B.





Button



## Maintenance

### 1. Daily cleaning

You can wipe out the dust by using soft dry towel.

### 2. Eliminating the stubborn dirt

As we all know, it is hard to eliminate the stubborn dirt by using normal dry towel. In this case, you can use soft towel with diluted neutral detergent to clean it first. And then you can use dry towel to scrub.

### 3. It's prohibited to use benzene, diluent, gasoline or other solvent.

These solvents may damage the leather or it may cause the corrosion of the products appearance.

### 4. Storage and operating environment

Don't put the product under the strong sunlight and moisture environment. Otherwise it may cause the damages of the product.

### 5. It is allowed to use this product under the temperature from 5°C to 50°C and the humidity from 45% to 85%.

## Fault diagnosis

If there is something wrong when you use the product, please try to check and eliminate the wrong operation as followings.

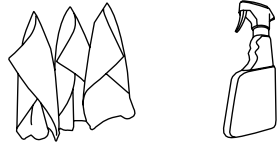
Phenomenon	Diagnosis	Operation of elimination
Press the button on the remote but without any responses.	<ol style="list-style-type: none"><li>1. The function of control button has reached to maximum.</li><li>2. To check if the power plug is connected.</li><li>3. To check if each connecting plug of the transformer is connected.</li></ol>	<ol style="list-style-type: none"><li>1. Try to press other control button.</li><li>2. Disconnect the power plug and connect it again.</li><li>3. Disclose the chassis. Discharge the plug and connect it again.</li></ol>
Letting out noises and shaking while going up and down	Screw loosen	Tighten all the screws

Remarks: It will be not informed if the improvements of the product do not influence appearance and function.

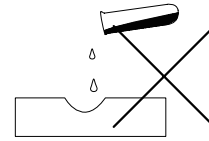
## Product care



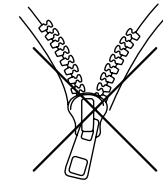
Brush away excess hair



Clean surface with damp cloth or use simple soap & water solution.



Avoid using corrosive cleaning agents such as bleaches.



Do not remove upholstery for cleaning

## Warranty

The warranty period is one year. DIR warrants to you, the original buyer, that goods shall be free of defects in material and/or workmanship attributable to manufacture for one year from date of receipt of product. Damage resulting from improper handling after merchandise is received, or from exposure to weather or extreme atmospheric conditions is not covered by the warranty.

For any other information please contact our support team:

### DIR BIRMINGHAM

66 Rea Street South  
Birmingham  
B5 6LB  
UK

Tel:  
+44(0)121 6434777

Email:  
dirsalon@gmail.com

### DIR LONDON

Unit 1 River Road  
Business Park  
33 River Road, Barking  
Greater London  
IG11 0DA  
UK

Tel:  
+44(0)20 8591 9310

Email:  
dirsalon@gmail.com

### DIR NEW YORK

575 Underhill Blvd.  
Suite 170  
Syosset, NY 11791  
USA

Tel:  
+1 (718)628-6668  
+1 (800)728-2008

Email:  
sales@dirsalonfurniture.com

### DIR IRELAND

Unit 20, Goldenbridge Ind.  
Estate Tyrconnell Road  
Inchicore  
Dublin 8  
Republic of Ireland

Phone:  
+353 (1) 429 7969

Email:  
sales.ireland@dirgroup.ie