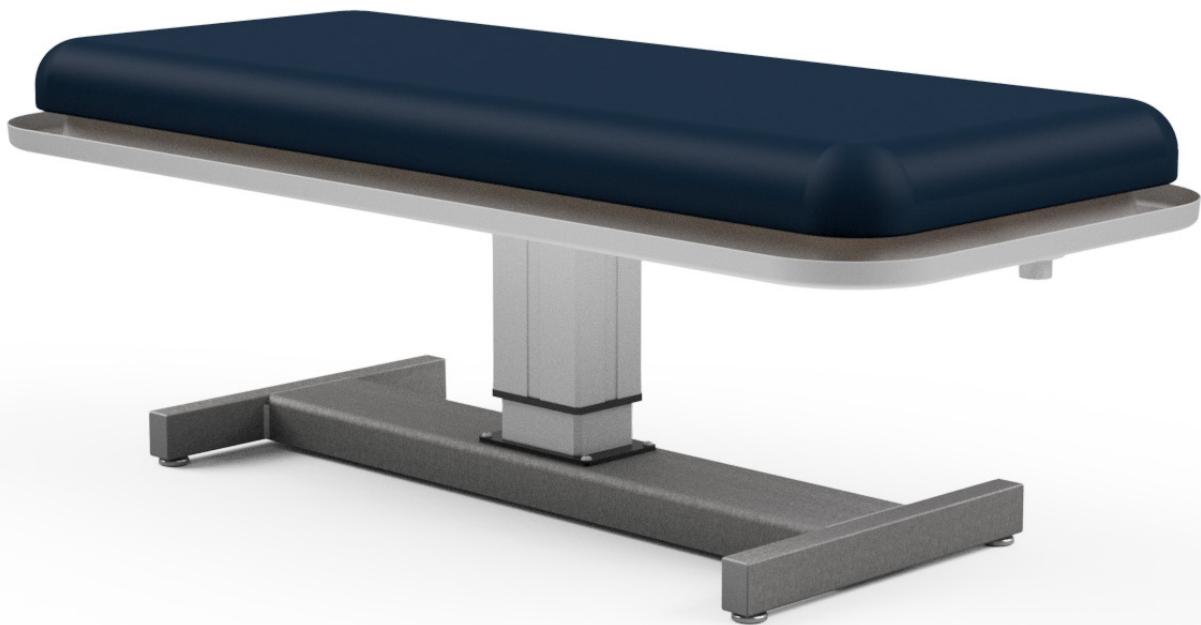


USER MANUAL

OAKWORKS®

Marina



www.oakworks.com · 717.235.6807

made in the USA
with US & imported



OAKWORKS® Spa

Printed in U.S.A.

All rights are reserved. No part of this document may be photocopied, reproduced or translated to another language without prior written consent of OAKWORKS®, Inc.

OAKWORKS® is a registered trademark of OAKWORKS®, Inc.

Notice

The information contained within this document is subject to change without notice and should not be construed as a commitment by OAKWORKS®, Inc.

OAKWORKS®, Inc. encourages requests for technical specifications and the like documentation to ensure accuracy. The appropriate documentation is available upon request.

OAKWORKS®, Inc. shall not be liable for incidental or consequential damages in connection with or arising out of the furnishing, performance, or use of this document and the program material which it describes.

TABLE OF CONTENTS

- Product Use Description 1
- Important Safety Instructions
 - Symbol Identification 1
 - Safety Instructions 2
- Product Description & Photo
 - Marina™ 3
- Directions for Use
 - Installation..... 4
 - Foot Control Operation 4
 - Moving the Table..... 5
 - Levelling the Table 5
 - Control Box / Battery Use 6-7
 - Drape & Hot Water Bag Use 8
 - Aqueduct Drain System..... 8
 - Quicklock Face Rest 9
- Cleaning & Disinfection
 - Recommended Cleaners/Disinfectants 10
 - Cleaning Process 10
- Inspections & Maintenance 11
- Warranty Information 11
- Model Number & Serial Number 12
- Specifications
 - Product Specifications 13
 - Environmental Conditions 13
 - Electrical Specifications..... 13
 - Replacement Part's List 13
- Contact Information back cover

PRODUCT USE DESCRIPTION / IMPORTANT SAFETY INSTRUCTIONS

PRODUCT USE DESCRIPTION

The OAKWORKS® Marina table offers a variety of features for massage therapists and skin care professionals of all specialties when treatments require wet conditions. The table is especially effective for those professional protocols that require placement in a wet environment where special treatments are offered. The variety of height positions align the table top so your clients body is at the optimum level for any number of treatments

It is intended to be operated by a professional in a spa environment. No special training is required but a review of the following Safety Instructions is important for the safety of the operator and patient. The healthcare professional should read and understand this entire manual before use with a patient.

SYMBOL IDENTIFICATION



This symbol, when used in this manual and on product labels, represents a caution warning. Be sure to read and comply with all precautions and warnings.



This symbol, when used in this manual and on product labels, warns against an electrical shock hazard. Be sure to observe and comply with all warnings.



This symbol, when used in this manual or on product labels, indicates a Protective Earth (Ground) Terminal.



This symbol when used in this manual or on product labels, warns that during transport there should be no stacking of containers.



This symbol, when used in this manual or on product labels, indicates that the product should be protected from moisture. The humidity specifications for Transport & Storage are listed in this manual.



This symbol, when used in this manual or on product labels, indicates that information is given regarding the recommended temperature limits during transport and storing.



This symbol, when used in this manual or on product labels, indicates the date of manufacture of the device.



This symbol, when used in this manual or on product labels, indicates alternating current (AC).



This symbol, when used in this manual or on product labels, indicates direct current (DC).



This symbol is used to indicate that the operator should consult the user manual.

IMPORTANT SAFETY INSTRUCTIONS

IMPORTANT SAFETY INSTRUCTIONS



CAUTION

READ AND SAVE THESE INSTRUCTIONS

Risk of Injury — Keep children from moving upholstered top.

Never drop or insert any object into any opening.

Close supervision is necessary when this furnishing is used by, or near, children, invalids or disabled persons. Do not leave children alone or allow them to operate the controls. Keep controls out of reach of children. Do not allow children to crawl under the table.

Be certain that the table is completely lowered prior to discharging an ambulatory patient. The patient may lose balance and fall. Do not leave clients unattended when table is set at its highest level.

Do Not lift or move the unit without using proper safety procedures or equipment. DO NOT turn the table on its side for any reason. To do so could cause damage to the base and will void the warranty. There are no serviceable items that require this action. Never lift the table by grasping the table top (or gutter) as the table top (or gutter) is not designed to hold the weight of the base and you could damage the table.

When operating the table controls and making any and all adjustments to the table, move hands and feet away from the working mechanism of the table.

Do not put excessive weight or pressure on the QuickLock™ Face Rest. Excessive pressure can cause premature failure of the QuickLock™ Face Rest. Do Not extend the dowels of the Face Rest further than 3" (8cm) from the table edge to ensure a stable connection.

DO NOT store or place anything under the table that will interfere with the motion of the table.

Maximum Working Load Rating (client and accessories): 400 lbs. / 182 kg.

The table should not be used in any other manner than that described within this manual. Use of any unnecessary force or unauthorized procedures could result in injury to practitioner, client or equipment.

Not using the drape may void the warranty.

DO NOT lift the table by holding the aqueduct drain system. This is not designed to hold the weight of the table. Be careful not to place anything in the gutter that might be flushed into the drainage tubing. This could clog the drain preventing free flow of the drain tube.

Do not spray the under side of the table with water or cleaners. Damage to the electrical system may occur.

Do not use high-pressure water to clean the column. Damage to the electrical system may occur.

After unpacking your table, inspect it thoroughly for damage. If you suspect a problem, do not use the table and call our customer service department at 717.235.6807.



WARNING

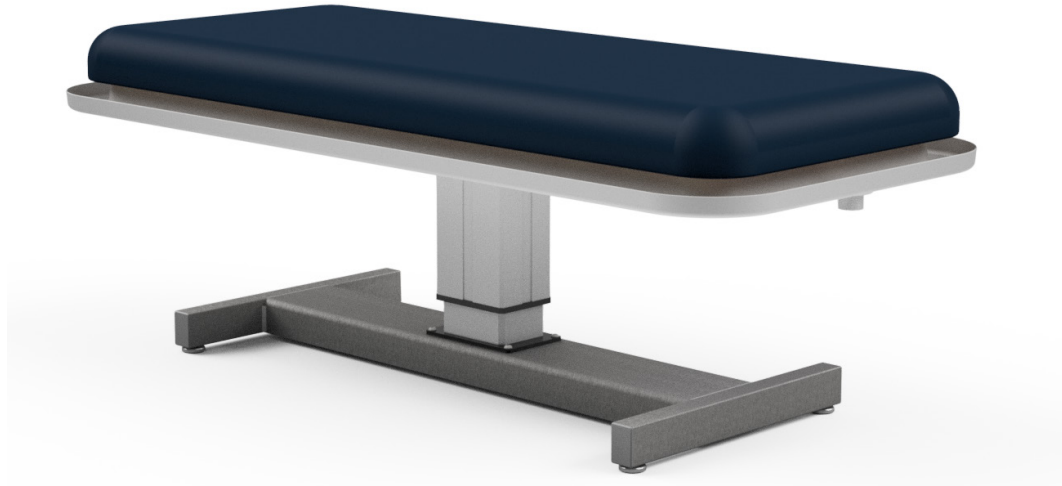
Electrical Shock Hazard. Use this equipment only for its intended use as described in these instructions. Do not use any attachment or accessories not recommended by the manufacturer.

To reduce the risk of burns, fire, electric shock or injury to persons:

1. Do not use outdoors.
2. Do not operate where aerosol (spray) products are being used or where oxygen is being administered.

PRODUCT DESCRIPTION

Marina



STANDARD SPECIFICATIONS	
Height Motion	Powered 25"-34" (64-87 cm.) Height Range
Foot Control	Operates height motion
Table Voltage Options	120V/60Hz or 230V/50Hz
Table Capacity	400 lbs. (182 kg.) (patient and accessories)
Top Width	31" (79cm)
Top Length	72" (183cm)
Battery System	Low-voltage and safe for wet treatment applications
Aqueduct Drain System	For wet treatments to catch and drain any fluids for treatments
Fitted Table drape & Hot Water Bag	Secures snugly over the table & used with the Hot Water Bag, for wet treatments
Padding	3" (8cm) Plush Foam™ with recessed Aero-cel section for Fomentek Bag
Table Weight	242 lbs. (110 kg)

OPTIONS / ACCESSORIES
Quick Lock Face Rest (both wet/dry use)
Paper Roll Holder (dry use only)
Table Extender (dry use only)
Bolster Side Armrests (dry use only)

For electrical specs, see Specifications section.

DIRECTIONS FOR USE

INSTALLATION

The Marina tables come completely assembled and ready to use. Plug the cord into a functioning outlet that is rated for the table. (see Grounding below) Be sure to charge the battery for 4 hours prior to use. (see Battery Use)

Arrange the power cord and control cords so that they will not create a tripping hazard and where the controls are located to your liking and are conveniently accessible.

Be sure access to plug is not blocked for disconnecting the table from power.

FOOT CONTROL OPERATION

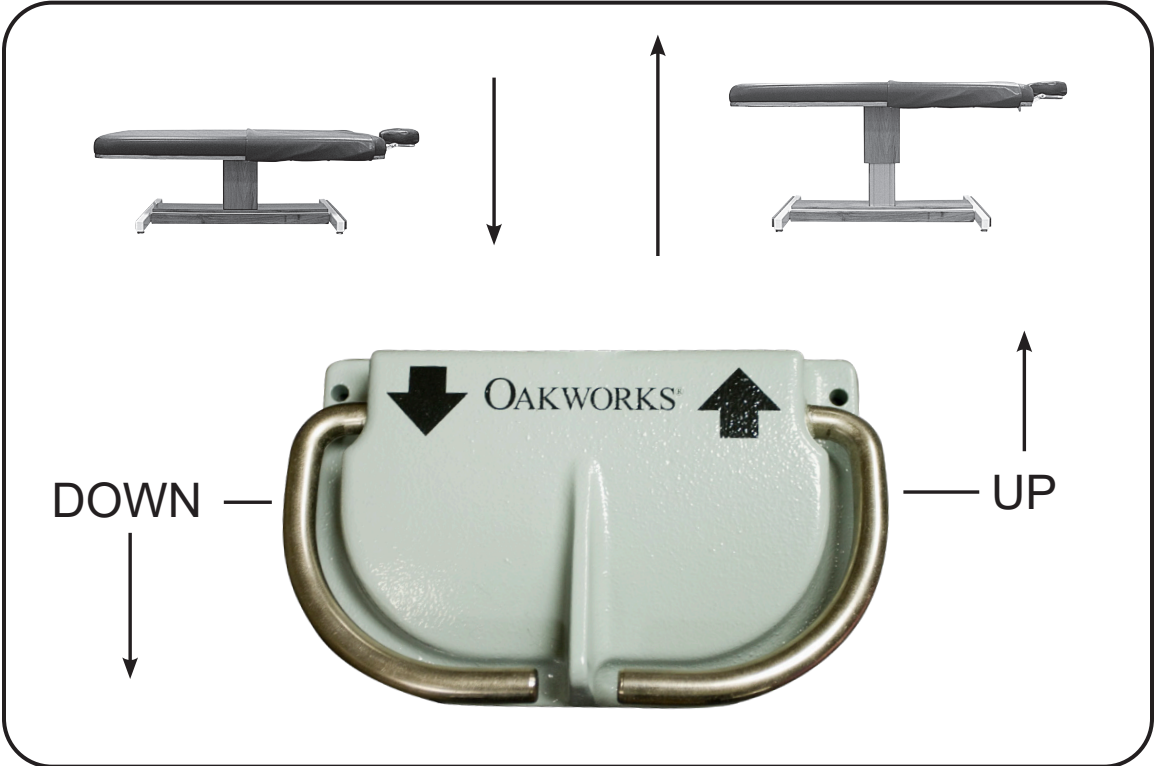


CAUTION

The Foot control must remain on the floor. When operating the table's controls, be sure to observe all cautions and warnings. The area under the top is not designed for storage or as an area to hold accessories while with a client. **DO NOT** use this area for holding anything. Damage can occur to the table, especially when commands that are accessed by the foot control are activated. Placing anything on this area will prohibit movement of the table and can cause damage to the table or the object and will void the warranty.



The table come complete with one foot control to control height function of the table. The Foot Control on the Marina operates all the height positioning at the touch of a pedal. Press and hold the appropriate pedal until the position desired is achieved and then release.



DIRECTIONS FOR USE

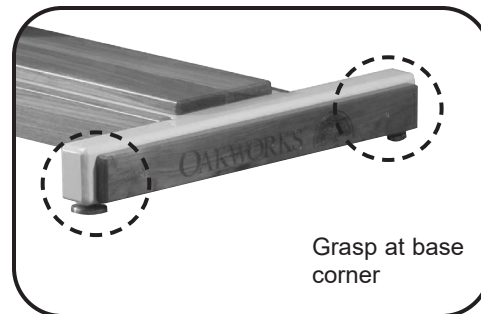
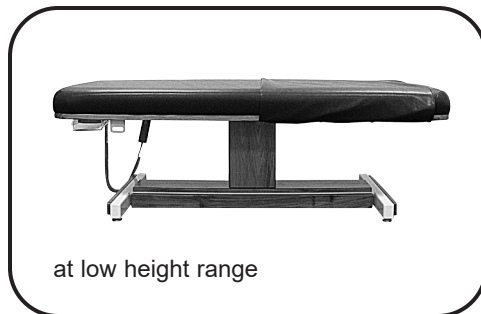
MOVING THE TABLE



CAUTION

Before moving the table, disconnect the power cord from the power outlet. The table weighs as much as 242 lbs. (110 kg) Never lift the table by grasping the table top. You could damage the table and the electronics that run the tabletop. Four people are required to move the table safely. Do not use the table to transport a patient.

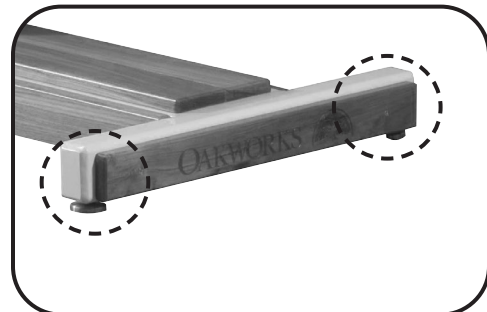
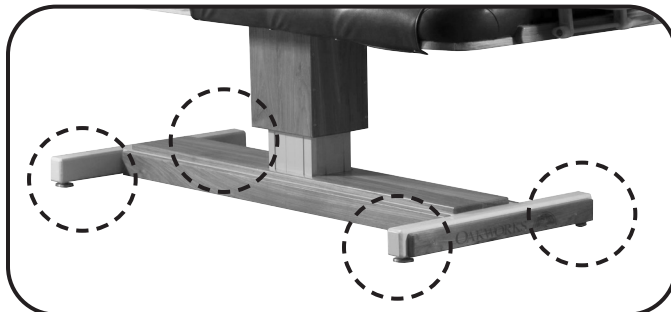
When moving the table, place one person at each corner of the table. Have each person firmly grasp the base at the bottom and lift the table. Be aware and use proper, safe procedures for moving a table of this size to prevent injury to yourself or the table. We strongly recommend that a flatbed dolly be used that can hold the entire table when moving the table long distances.



LEVELING THE TABLE

If Table Will Not Sit Flat on the Floor:

The table is equipped with Leveler Feet that adjust to level the table on uneven floors. Adjust each leg individually by turning the foot clockwise or counter-clockwise to adjust height of each leveler foot until the unit rests level and steady. This adjustment will not effect the function of the table.



DIRECTIONS FOR USE

TABLE CONTROL / BATTERY USE

The movement of the table is powered by a battery. This allows a low voltage operation of the table that is safe in all environments and is very suitable for wet treatment conditions. The battery is easily charged in a separate charging unit outside of the wet environment.

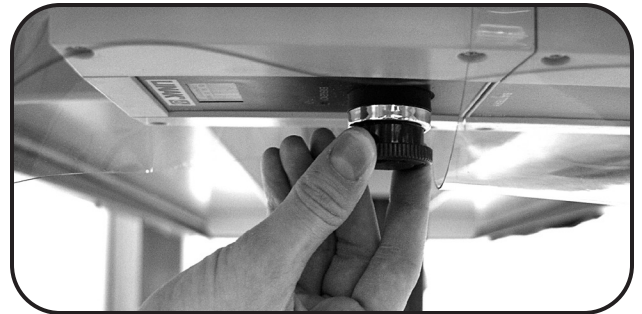
To Turn the Table Off:
(for shipping, overnight, or to change the battery)

Push the red 'Emergency' button on the control box, found under the table to turn the Control Box OFF.



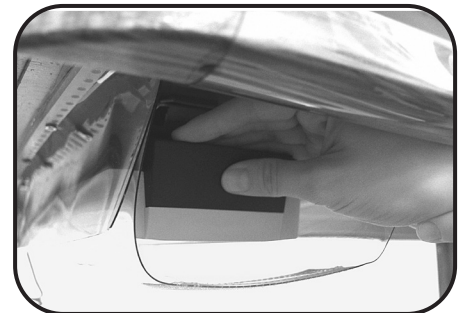
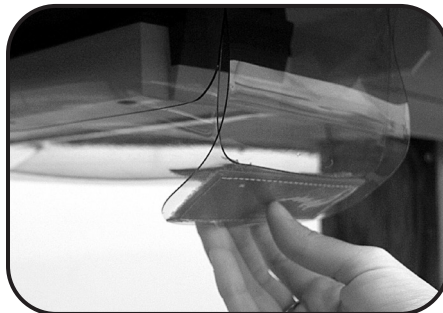
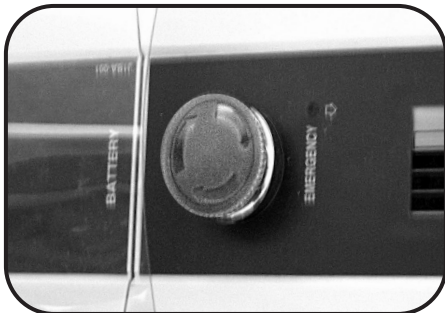
To Turn the Table ON:

Turn the red 'Emergency' button on the control box, found under the table, in a clockwise direction.



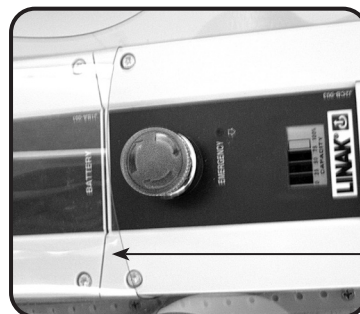
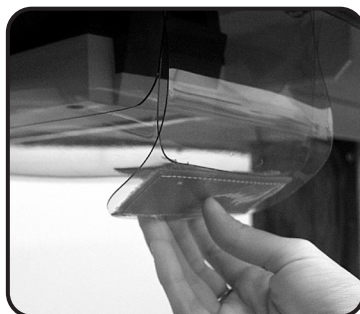
To remove the battery for charging:

Push the red 'Emergency' button to turn the control box off. Open the Velcro® hook and loop fastener flap at the end of the battery unit. Pull the battery release lever found at the end of the battery unit.



To place the battery back into table after charging:

Push the red 'Emergency' button to turn the control box off. Open the Velcro® hook and loop fastener flap at the end of the battery unit. Slide the battery into the clear vinyl sling, pushing it into the metal bracket above until it snaps into place. Turn the red 'STOP' button clockwise to turn the control box back on.

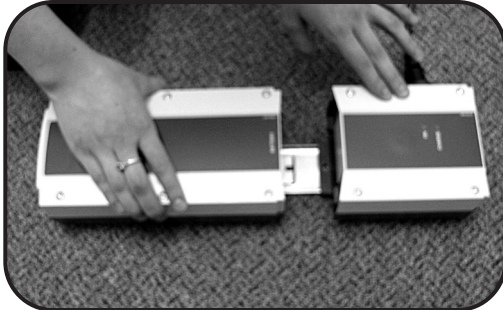


Be sure the battery is snapped securely in place before turning the unit back on.

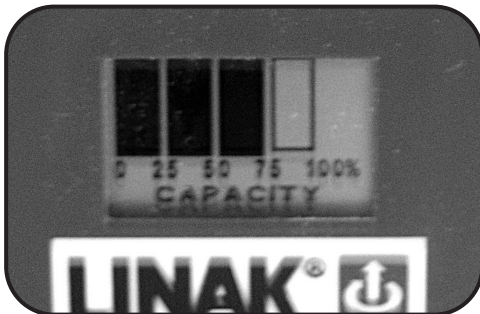
DIRECTIONS FOR USE

Recharging the Battery:

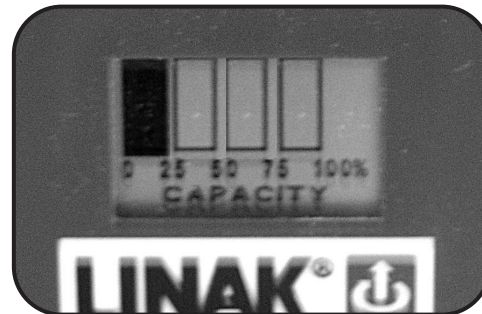
Pull the battery out and place it firmly onto the charger bracket. Plug in the charger to begin charging the battery.



The level indicator should read at least 75% of stored power for proper use. If less than this amount is available, recharge the battery as described in the Battery Care section below.



Normal Battery Level



Battery Recharge needed

Battery Care:

In order to maintain the quality and ensure the life of the Marina™, here are some preventative steps that can be taken to protect the battery.

- The charger must be used in a dry environment.
- Normal use of the lift function of the table is a 10% duty cycle (i.e. 2 minutes of continuous use followed by 18 minutes off) The recommended battery recharge interval for the Marina™ table is every 3 hours of normal use. At this rate the battery should last for 1200 recharge cycles or 3600 usage hours.
- The battery should be recharged when the level indicator on the control box is at 75% (before it drops to 50%). In this way, maximum battery life may be achieved. If used every day in this manner, a battery should last up to two (2) years.
- It is recommended the battery be fully charged before first use after receiving the table new. Charging time is 4 hours.
- It is recommended that the battery be left to charge over periods of non-use and that only a freshly charged battery be used after periods of non-use. Non-use is defined as overnight or over a weekend.
- DO NOT fully discharge the battery before recharging. Completely discharging the battery before recharge will shorten the recharge cycles to that of approximately 180 recharge cycles and thus shorten the life of the battery.

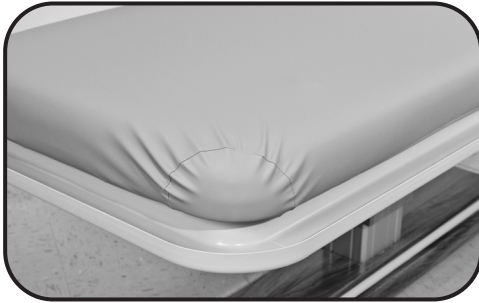
You can receive the most from the battery on your Marina™ by following these easy recommendations and care instructions.

DIRECTIONS FOR USE

DRAPE & HOT WATER BAG USE

! **CAUTION** Not using the drape may void the warranty.

The fitted table drape secures snugly over the table. The hot water bag is filled with warm water from a kitchen sink or lavatory faucet and will provide thermal therapy for up to 2 hours. Place the hot water bag under the table drape where desired, then secure the fitted edges around the table top.

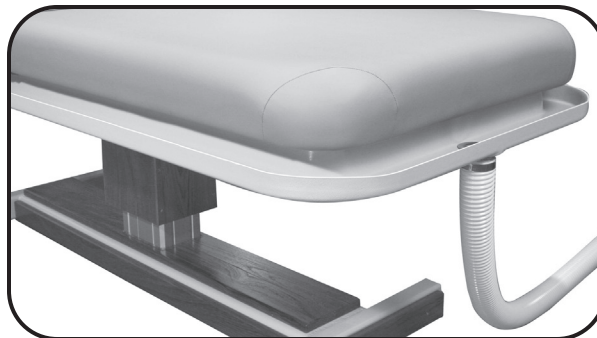


AQUEDUCT DRAIN SYSTEM

! **CAUTION** DO NOT lift the table by holding the aqueduct drain system. This is not designed to hold the weight of the table. Be careful not to place anything in the gutter that might be flushed into the drainage tubing. This could clog the drain preventing free flow of the drain tube.

For most treatments the Aqueduct™ drain system will collect and flow the treatment solution into the table drain tubing with ease. For best operation:

- Connect the drain tubing to a suitable drain outlet. Be sure there is no obstruction to the flow of solution in either the Aqueduct or the drain outlet. Gravity will do the rest.
- Inspect the Aqueduct and the drain periodically to remove any build-up of material that might interfere with the flow of the treatment solution.



DIRECTIONS FOR USE

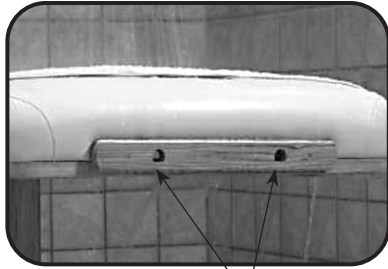
QUICKLOCK FACE REST



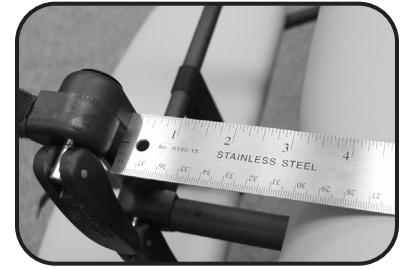
CAUTION

Do not put excessive weight or pressure on the Quicklock Face Rest. Do not extend the dowels of the Quicklock Face Rest 3" (7.6 cm.) from the table top.

Double articulating action provides nearly limitless positioning options with the QuickLock Face Rest. The adjustable pad takes pressure off sensitive facial areas while providing superb support. The QuickLock Face Rest can be used in both prone and supine positioning and folds out of the way when not in use. Adjustments are made easily by loosening the cam locks, adjusting for height and angle and then locking the cam locks into the desired position.



Accessory attachment outlets



Important Safety Note:
Maximum Distance from edge of Table = 3" (7.6 cm.)



Insert dowels into Accessory attachment outlets.



Loosen Cam Locks & adjust face rest into place.



Tighten the Cam Locks.



The Face Rest can be used for either prone or supine positioning.

CLEANING & DISINFECTION

RECOMMENDED CLEANERS/DISINFECTANTS



DANGER

To reduce the risk of electric shock:

- Always unplug this furnishing from the electrical outlet before cleaning.

Reference the Recommended Cleaners and Disinfectant list (MMINML0008-EN) that came with the table. This information can also be found at www.shop.spatable.com under product information.

All cleaners and disinfectants have the ability to degrade the upholstery to some extent. However, following the recommended cleaner and disinfectant list and cleaning process will provide the best care for your table and support a long product life.

OAKWORKS® recommends a prepackaged wipe for cleaners/disinfectants to ensure best distribution of disinfectant for the required kill time, without leaving excess residue and/or overexposing components therefore minimizing the potential for damage to materials. Please read and follow disinfectants manufacturers' directions for cleaning and disinfection.

OAKWORKS® does NOT recommend the use of cleaners/disinfectants containing Hydrogen Peroxide, Acetic Acid, or Phenolics. These chemicals can cause damage to the appearance and/or material integrity of various components. Also, while the recommended cleaners/disinfectants list includes products containing Quaternary Ammonium compounds ("quats"), not all products containing quats are approved for use. Some contain additional detergents and/or surfactants which can damage some materials.

A note on Bleach: While a 10% sodium hypochlorite (household bleach) solution (EPA No.: 5813-100 or equivalent) can be an effective disinfectant and is dilute enough to be benign to most materials, it alone is not an effective cleaner and a separate product must be used for the initial cleaning steps of the procedure. Because of possible chemical incompatibilities between various cleaning products and bleach, utmost care must be taken by the user to avoid potential exposure to harmful or toxic by-products of the combination. Also, because bleach leaves a potentially corrosive residue as it evaporates, it must be rinsed with clean water after disinfection.

Use of non-approved cleaners or disinfectants may lead to damage to upholstery and other materials found on the table and will void the warranty.

CLEANING PROCESS

Follow the cleaners/disinfectant manufacturers' directions for use. Please note that cleaning and disinfecting an OAKWORKS® table is a two part process. First it must be cleaned of any visible soil, then it can be disinfected. OAKWORKS® recommends that the table be positioned in the flat position during the cleaning process. Please follow this procedure for best results:

1. Using an approved cleaner or mild liquid soap and water, clean any visible soil off of the table, working from the top to the bottom of the table. It is recommended that the upholstery be cleaned at least once a week to prevent disinfectant build up.
2. Rinse with clean water and dry with a clean cloth or towel.
3. Using an approved disinfectant, thoroughly disinfect all surfaces of the tabletop and any high-contact areas such as handles, handsets, etc., making sure they remain wet for the disinfectant manufacturer's recommended contact time. Do not allow disinfectant to pool on the upholstery after the recommended contact time.
4. Wipe off any excess liquid with a cloth or towel and clean water.
5. Dry all surfaces with a clean cloth or towel.

Avoid using writing instruments or other similar instruments around the upholstery as it can cause permanent staining. If this does occur, do not wipe with an alcohol based cleaner. Instead, blot the stain with a clean cloth/ paper towel. Use a 10% bleach dilution to remove the stain. Follow this with a rinse of clean water.

INSPECTIONS

RECOMMENDED REGULAR INSPECTIONS (monthly or local standard)

- Check for damage to the power, hand control(s) and foot control(s) on all cables.
- Visually inspect components for obvious damage that could cause problems during operation.

RECOMMENDED PERIODIC INSPECTIONS (yearly or local standard)

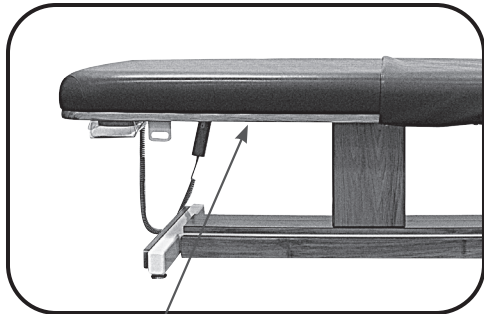
- Check for damage to the power, hands control and foot control cables and all visible wiring.
- Visually inspect components for obvious damage that could cause problems during operation.
- Check all mechanical functions using the hand control. Repeat using the foot control. Check for abnormal noises.
- Check that all fasteners are present and fastened securely.
- Check table grounding.
- Clean unusual buildup of dirt on the table and/or parts of the table not normally cleaned on a regular basis.
- Check for tears or cracks in the upholstery.

WARRANTY

View complete warranty details at www.oakworks.com

MODEL NUMBER & SERIAL NUMBER

MODEL & SERIAL NUMBERS



The model number and serial number are located under the table top.

Model Number Serial Number

Marina™

16796025 MAMHWD312572PLTTZZ Ser#: MAR561910
Marina 31 x 25-34 x 72 MG/TT
TTCoal 04/03/2013 Order#:654321
Notes: Sample Product Label

CAUTION
Maximum Working Load Rating:
400 lbs. (182 kg.)

24V 7.0 Amps Max

OAKWORKS, INC.
923 East Wellspring Rd.
New Freedom, PA 17349 USA
Phone: 717-235-6807
www.oakworks.com

made in the USA
with US & imported parts

Duty Cycle:
MAX 2 minutes ON
18 minutes OFF

Part No. CN70537-29 - Rev. 1

Model Numbers and Serial Numbers always start with a letter.

SPECIFICATIONS

PRODUCT SPECIFICATIONS

Table Length	72" (182 cm.)
Table Width	31" (79 cm.)
Height Range	25"-34" (64-87 cm.)
Weight	242 lbs. (102 kg.)
Shipping Weight	330 lbs. (150 kg.)
Lifting Capacity	400 lbs. (182 kg.)

ENVIRONMENTAL CONDITIONS

Conditions	Temperature	Humidity	Atmospheric Pressure
Normal Use	50° (10°C) to 104° (40°C)	20% to 60% RH	98 to 105 kPa
Storage & Transport	-20° (-29°C) to 135° (57°C)	20% to 95% RH	98 to 105 kPa

ELECTRICAL SPECIFICATIONS

Designed for:	North America	Europe	Japan
Input Service	120 VAC/60 Hz	230 VAC/50 Hz	100 VAC/50-60 Hz
Current Draw	.7 A	.4 A	.8 A
Voltage Output	24 VDC	24 VDC	24 VDC
Electric Shock Protection	Class 1 Equipment	Class 1 Equipment	Class 1 Equipment
Mode of Operation	Intermittent Operation MAX 2 minutes ON 18 minutes off	Intermittent Operation MAX 2 minutes ON 18 minutes off	Intermittent Operation MAX 2 minutes ON 18 minutes off

REPLACEMENT PARTS LIST

Part No.	Qty	Description
6978	1	Column DL2
7014	1	Control Box
53331	1	Foot Control
6958	1	Charger for Battery System
7013	1	Battery
6979	1	Battery Mounting Bracket - wall
6995	1	Battery Mounting Bracket - table

THIS PAGE IS INTENTIONALLY LEFT BLANK

THIS PAGE IS INTENTIONALLY LEFT BLANK

THIS PAGE IS INTENTIONALLY LEFT BLANK

USER MANUAL

OAKWORKS®

Marina

CONTACT INFORMATION:

OAKWORKS® Inc.

923 East Wellspring Road
New Freedom, PA 17349

Phone: 717-235-6807

FAX: 717-235-6798

www.oakworks.com



EMERGO EUROPE
Prinsessegracht 201
2414 AP The Hague
The Netherlands

Part No.: MMMNST0107-EN / SPA-RA-PM-58

Revision level: 4

Revision Date: 10/15/2020

English, Printed in USA

made in the USA
with US & imported



OAKWORKS® Spa